



Rigging and Assembly Instructions

AT/UT/USS/UAT Induced Draft Counterflow Cooling Towers

EVAPCO Products are Manufactured Worldwide

EVAPCO, Inc. — World Headquarters & Research/Development Center

EVAPCO, Inc. • P.O. Box 1300 • Westminster, MD 21158 USA
PHONE: 410-756-2600 • FAX: 410-756-6450 • E-MAIL: marketing@evapco.com

EVAPCO North America

EVAPCO, Inc. World Headquarters

P.O. Box 1300
Westminster, MD 21158 USA
Phone: 410-756-2600
Fax: 410-756-6450
E-mail: marketing@evapco.com

EVAPCO East
5151 Allendale Lane
Taneytown, MD 21787 USA
410-756-2600 p | 410-756-6450 f
marketing@evapco.com

EVAPCO East
Key Building
Taneytown, MD USA
410-756-2600 p
marketing@evapco.com

EVAPCO Midwest
Greenup, IL USA
217-923-3431 p
evapcomw@evapcomw.com

EVAPCO West
Madera, CA USA
559-673-2207 p
contact@evapcowest.com

EVAPCO Iowa
Lake View, IA USA
712-657-3223 p

EVAPCO Iowa
Sales & Engineering
Medford, MN USA
507-446-8005 p
evapcomn@evapcomn.com

EVAPCO Newton
Newton, IL USA
618-783-3433 p
evapcomw@evapcomw.com

EVAPCOLD
Greenup, IL USA
217-923-3431 p
evapcomw@evapcomw.com

EVAPCO-BLCT Dry Cooling, Inc.
1011 US Highway 22 West
Bridgewater, NJ 08807 USA
Phone: 1-908-379-2665
E-mail: info@evapco-blct.com

EVAPCO-BLCT Dry Cooling, Inc.
7991 Shaffer Parkway
Littleton, CO 80127 USA
Phone: 1-908-379-2665
E-mail: info@evapco-blct.com
Spare Parts Phone: 908-895-3236
Spare Parts e-mail: spares@evapco-blct.com

EVAPCO Power México S. de R.L. de C.V.
Calle Iglesia No. 2, Torre E
Tizapan San Ángel, Del. Álvaro Obregón
Ciudad de México, D.F. México 01090
Phone: +52 (55) 8421-9260
e-mail: info@evapco-blct.com

Refrigeration Vessels & Systems Corporation
A wholly owned subsidiary of EVAPCO, Inc.
Bryan, TX USA
979-778-0095 p
rsv@rvscorp.com

EvapTech, Inc.
A wholly owned subsidiary of EVAPCO, Inc.
Lenexa, KS USA
913-322-5165 p
marketing@evaptech.com

Tower Components, Inc.
A wholly owned subsidiary of EVAPCO, Inc.
Rameur, NC USA
336-824-2102 p
mail@towercomponentsinc.com

EVAPCO Alcoil, Inc.
A wholly owned subsidiary of EVAPCO, Inc.
York, PA USA
717-347-7500 p
info@alcoil.net

EVAPCO Europe

**EVAPCO Europe BVBA
European Headquarters**
Heerstedevweg 19
Industrieterrein Oost
3700 Tongeren, Belgium
Phone: (32) 12-395029
Fax: (32) 12-238527
E-mail: evapco.europe@evapco.be

EVAPCO Europe, S.r.l.
Milan, Italy
(39) 02-939-9041 p
evapcoeuropa@evapco.it

EVAPCO Europe, S.r.l.
Sondrio, Italy

EVAPCO Europe GmbH
Meerbusch, Germany
(49) 2159 6956 18 p
info@evapco.de

EVAPCO Air Solutions
A wholly owned subsidiary of EVAPCO, Inc.
Aabybro, Denmark
(45) 9824 4999 p
info@evapco.dk

EVAPCO Air Solutions GmbH
Garbsen, Germany
(49) 5137 93875-0 p
info@evapcoas.de

Evap Egypt Engineering Industries Co.
A licensed manufacturer of EVAPCO, Inc.
Nasr City, Cairo, Egypt
2 02 24022866/2 02 24044997 p
primacool@link.net / shady@primacool.net

EVAPCO S.A. (Pty.) Ltd.
A licensed manufacturer of EVAPCO, Inc.
Isando 1600, Republic of South Africa
(27) 11-392-6630 p
evapco@evapco.co.za

EVAPCO Asia/Pacific

EVAPCO Asia/Pacific Headquarters
1159 Luoning Rd. Baoshan Industrial Zone
Shanghai 200949, P.R. China
Phone: (86) 21-6687-7786
Fax: (86) 21-6687-7008
E-mail: marketing@evapcochina.com

EVAPCO (Shanghai) Refrigeration Equipment Co., Ltd.
Baoshan Industrial Zone Shanghai, P.R. China
(86) 21-6687-7786 p
marketing@evapcochina.com

Beijing EVAPCO Refrigeration Equipment Co., Ltd.
Huairou District Beijing, P.R. China
(86) 10-6166-7238 p
evapcoobj@evapcochina.com

EVAPCO Air Cooling Systems (Jiaxing) Company, Ltd.
Building 10, 1133 Taoyuan Road,
Jiaxing, Zhejiang, China
(86) 573 83119379
info@evapcoacs.cn

EVAPCO Australia (Pty.) Ltd.
Riverstone NSW 2765, Australia
(61) 2 9627-3322 p
sales@evapco.com.au

EVAPCO Composites Sdn. Bhd
Rawang, Selangor, Malaysia
(60-3) 6092-2209 p

EvapTech Asia Pacific Sdn. Bhd
A wholly owned subsidiary of EvapTech, Inc.
Puchong, Selangor, Malaysia
(60-3) 8070-7255 p
marketing-ap@evaptech.com

EVAPCO South America

EVAPCO Brasil
Equipamentos Industriais Ltda.
Al. Vênus, 151 – CEP: 13347-659
Indaiatuba – São Paulo – Brasil
(55+11) 5681-2000 p
vendas@evapco.com.br

Fan Technology Resource
Cruz das Almas – Indaiatuba
São Paulo, Brasil 13308-200
55 (11) 4025-1670
fantr@fantr.com

EVAPCO...SPECIALISTS IN HEAT TRANSFER PRODUCTS AND SERVICES.

Visit EVAPCO's Website at: www.evapco.com



Table of Contents

Introduction 3

Shipping 3

Nomenclature 3

Structural Steel Support 4

Rigging Bottom Sections 5

Joining Multi-Cell Units Bottom Sections 6

Equalizer Blank-Off Plate: Multi Cell Units 8

Application of Sealer Tape 8

Rigging Upper Sections 9

Extended Lifts 10

3-Section Shipments 10

 Casing Section Rigging 10

 Fan Section Rigging 11

Assembly of the Upper Section to the Bottom Section 12

 Using Drift Pins for Final Positioning 12

Containerized Unit Assembly 14

Installing Watertight Partitions & Firewalls 17

Rigging Fully Assembled Units 18

External Motor Installation – Belt Drive 19

Optional Motor & Gear Box Davit Installation 20

External Motor Installation – Gear Drive 20

Floating Shaft Installation & Alignment 21

Mounting Fan Screens 22

Sloped Ladder Installation 23

External Platform and Vertical Ladder Installation 25

Field Assembly of Bottom Inlet 26

Notes 27



Introduction

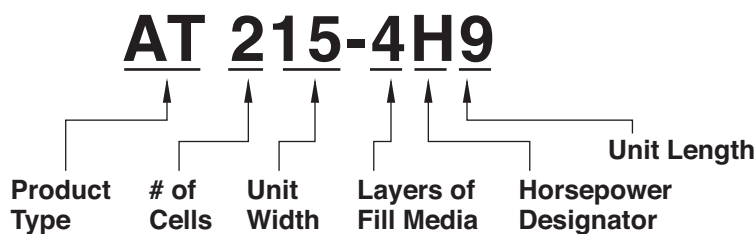
Thank you for purchasing your EVAPCO AT, counter-flow, induced draft cooling tower. This manual provides instructions and recommendations to safely and correctly install all AT cooling towers. To review instructions it is recommended that all the instructions provided in this manual be reviewed in detail prior to rigging and assembly. If at any point, specific circumstances not covered by this manual arise, please contact your local EVAPCO representative for assistance.

Proper care must be taken by all parties involved in handling and assembling the equipment to ensure that safe and thorough installation practices are implemented to prevent damage or injury to the equipment, persons and environment involved.

Shipping

Unless otherwise noted in the factory submittal, all EVAPCO AT towers ship in two (2) sections per cell (upper and lower). In some cases, units are shipped completely knocked down, in three (3) sections per cell, or one (1) section per cell. Any special shipping configurations will be listed in the factory submittal. Please contact your local EVAPCO representative for more information on alternate shipping configurations.

Nomenclature



Product Type

AT – Indicates an Advanced Technology (AT) tower

UT – AT tower with a Super Low Sound fan

USS/UAT – AT tower constructed entirely of stainless steel - Type 304, Type 316, or a combination. A USS tower may also include a Super Low Sound Fan. UAT is European designation for a USS tower.

of Cells

Determined by the number of inlet connections, can be 1, 2, 3, or 4

Unit Width

The total width of the unit, in feet, all cells included. This value is rounded to the closest whole number

Layers of Fill Media

Determined by the number of 1 foot tall fill layers. Can be 2, 3, 4, or 5

Horsepower Designator

Determined by the horsepower per fan motor. Available from E = 2 HP to R = 100 HP

Unit Length

The total length of the unit, in feet, all cells included. This value is rounded to the closest whole number



Structural Steel Support

Two structural “I” beams running the length of the unit are required for support of each cell of the units. These beams should be located underneath the outer flanges of the unit (See Table 1). Mounting holes 3/4” in diameter are located in the bottom flanges of the unit for bolting to the structural steel (See steel support print in unit submittal for exact bolt hole location). Bolt the bottom section to the steel support before rigging the top section.

Beams should be sized in accordance with accepted structural practices. Maximum deflection of the beam under the unit to be 1/360th of the unit length, not to exceed 1/2”. Deflection may be calculated by using 55% of the operating weight of the unit as a uniform load on each beam (See certified print in unit submittal for operating weight).

The supporting “I” beams should be level before setting the unit. Do not level the unit by shimming between the bottom flanges and the beams as this will not provide proper and continuous longitudinal support. Support beams and anchor bolts are to be furnished by others. Always refer to the certified print in the unit submittal for unit weights, dimensions and technical data.

Please refer to the unit submittal for detailed, project specific steel support arrangement.

<p>4' (1.2m), 7' (2.24m), 8.5' (2.6m), 10' (3m), 12' (3.6m) and 14' (4.3m) wide single & multi-cell units</p>	
<p>14' (4.3m), 15' (4.6m), 17' (5.2m), 20' (6m), 24' (7.3) and 28' (8.6m) wide multi-cell units</p>	
<p>42' (12.8m) wide multi-cell units</p>	
<p>56' (17.2m) wide multi-cell units</p>	

Table 1 - Standard Longitudinal Steel Support Arrangement

Rigging Bottom Sections

Lifting devices are located along the inside corners of the bottom section for lifting and final positioning purposes as shown in Figures 1a and 2b. The hook of the crane must be a minimum dimension of “H” above the lifting devices to prevent undue strain on the lifting devices. See Table 2 for the minimum “H” dimension. These lifting devices should not be used for extended lifts or where any hazard exists unless safety slings are employed under the section. See “Extended Lifts” on page 10 for proper arrangement.

Bolt the bottom section to the steel support before rigging the top section.

Section Width		Section Length		Minimum "H" Dimension	
Feet	Meters	Feet	Meters	Feet	Meters
4	1.2	4	1.2	5	1.5
		6	1.8	5	1.5
		9	2.7	9	2.7
		12	3.6	11	3.4
6	1.8	8.5	2.6	9	2.7
7	2.24	9	2.7	10	3
		12	3.6	12	3.7
		18	5.5	19	5.8
8.5	2.6	6	1.8	9	2.7
8.5	2.6	7.5	2.4	10	3
		9	2.7	10	3
		10.5	3.2	11	3.4
		12	3.6	12	3.7
		14	4.3	15	4.6
		18	5.5	19	5.8
10	3	12	3.6	15	4.6
		18	5.5	19	5.8
12	3.6	12	3.6	15	4.6
		14	4.3	17	5.2
		18	5.5	19	5.8
		20	6	21	6.4
14	4.3	24	7.3	21	5.2
		26	7.8	22	6.7

Table 2 - Minimum “H” Dimension when Lifting Bottom Sections

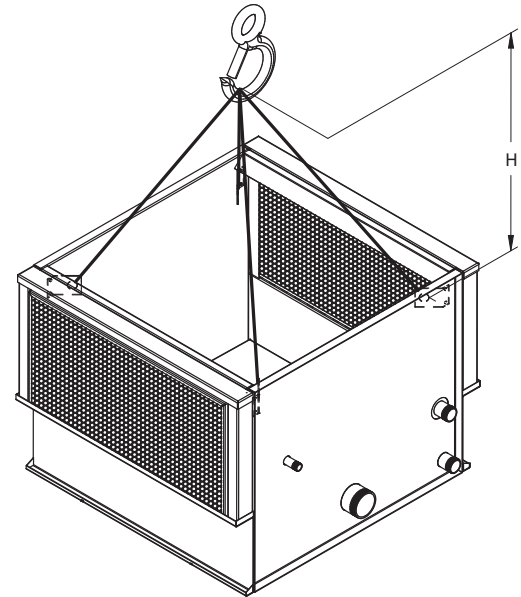


Figure 1a - 4' (1.2m) Wide Unit Bottom Section

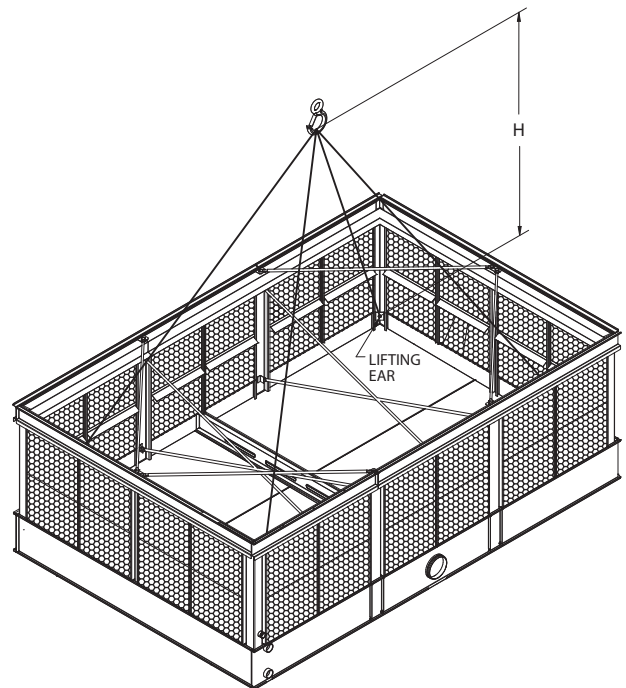


Figure 1b - 12' (3.6m) Wide Unit Bottom Section



Joining Multi-Cell Units Bottom Sections

On all 2-cell models, the two bottom sections are shipped separately and are typically furnished with a connecting equalizer flume box between them. On all 3-cell models, the three bottom sections are shipped separately and are typically furnished with two connecting equalizer flumes between them.

In addition to the equalizer flumes, these units are provided with horizontal drip channels and vertical splash guards to keep water from splashing out from between the cells. All units have one or more horizontal drip channel and two vertical splash guards *per* flume box.

Flume boxes are a standard offering on multi-cell units. Multi-cell units are also available with external equalizer connections, which can be connected by field installed piping. **The flume box(es) will be deleted when external equalizer connections are provided.**

The equalizer flume box is factory installed on one section for field connection to the other. It is important to connect the equalizer flume to balance the water level in the pans for proper pump suction operation. The procedures that follow should be performed in sequence.

For units on which the flume box ships loose:

1. Rig *one* of the bottom sections of the multi-cell cooling tower. Bolt to steel support.
2. One face of the flume box is provided with 3/8" welded bolts. Clean the mating flume opening on the rigged bottom section and apply a layer of sealer tape on this surface, centered between the hole centers and the outside edge. Remove paper backing strip from sealer tape.
3. Align the bolt holes in the rigged bottom section with the welded 3/8" bolts on the flume box.
4. Install 3/8" nuts and washers on every bolt around the flume opening and tighten.
5. Follow steps 4 through 10 as shown below.

For units on which the flume box ships mounted to one cell:

1. Install the bottom section with the factory installed flume box on it as described above.
2. Clean the flanges on the flume box on the end to be field connected. Apply a layer of sealer tape on the flange, centered between the hole centers and the outside edge. Remove paper backing strip from the sealer tape.
3. Clean the mating surface of the flume opening of any dirt, grease or moisture.
4. Rig the second bottom section adjacent to the equalizer flume on the steel support as shown in the sequential figures that follow.
5. Align the bolt holes in the flume box and flume opening with drift pins (by others) while drawing the second bottom section against the flanged connection.
6. Install 3/8" bolts, nuts, and washers in every hole around the flume opening and tighten.
7. Bolt the second bottom section to the steel support.
8. Remove the 1/4" bolts which hold the drip channel retaining clips to the end panel. Place the drip channel over the adjoining pan section flanges. Turn around the retaining clips and install them using the same hardware.
9. If there are multiple drip channels, fasten them together end-to-end by driving a self-tapping 5/16" screw through the section end with the larger hole into the mating end with the smaller hole. Stainless steel units will use 5/16" stainless steel nuts and bolts.
10. Place the vertical splash guard in the bend of the vertical supports. On galvanized units, attach the vertical splash guard using 5/16" self-tapping screws. On stainless steel units, attach the vertical splash guards using 5/16" stainless steel nuts and bolts. (See figure 2a)
11. Once the bottom of the vertical splash guard has been attached to the drip channel, place the filler cap channel in the upper flanges of the bottom section as shown in Figure 2a. Attach to vertical splash guards using 5/16" tappers (for galvanized units) or stainless steel nuts and bolts (for stainless steel units).

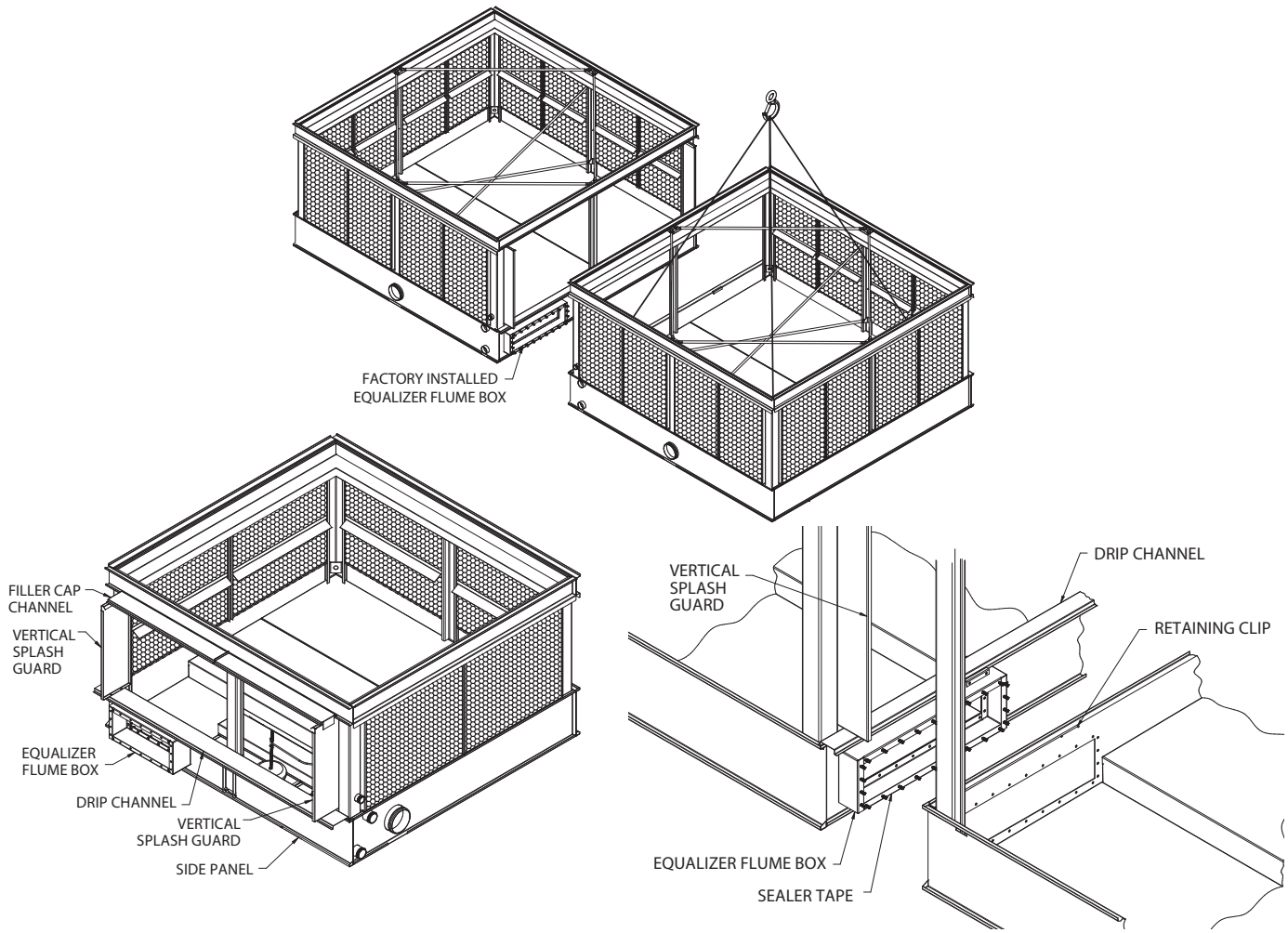


Figure 2 - Joining Bottom Sections – Multi Cell Units

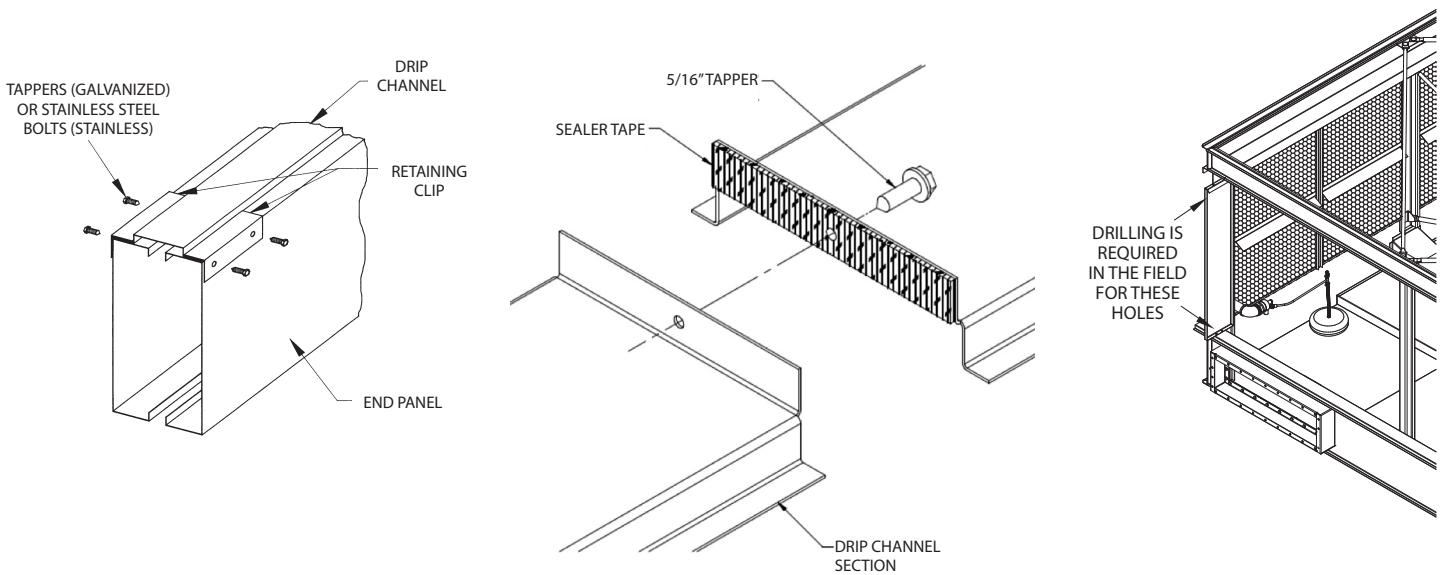


Figure 2a - Drip Channel and Vertical Splash Guard Installation

Equalizer Blank-Off Plate: Multi Cell Units

Equalizer blank-off plate(s) are available to isolate the bottom sections for individual cell operation, periodic cleaning, or maintenance. The optional equalizer blank-off plate is factory installed on the equalizer flume and secured by wing nuts. This plate is also known as a “flume plate” or “positive closure plate.”

For units not requiring the blank-off plate under normal operating conditions, remove the wing nuts, washers, plate and gasket. Reinstall washers and wing nuts for proper leak free operation of the equalizer flume box.

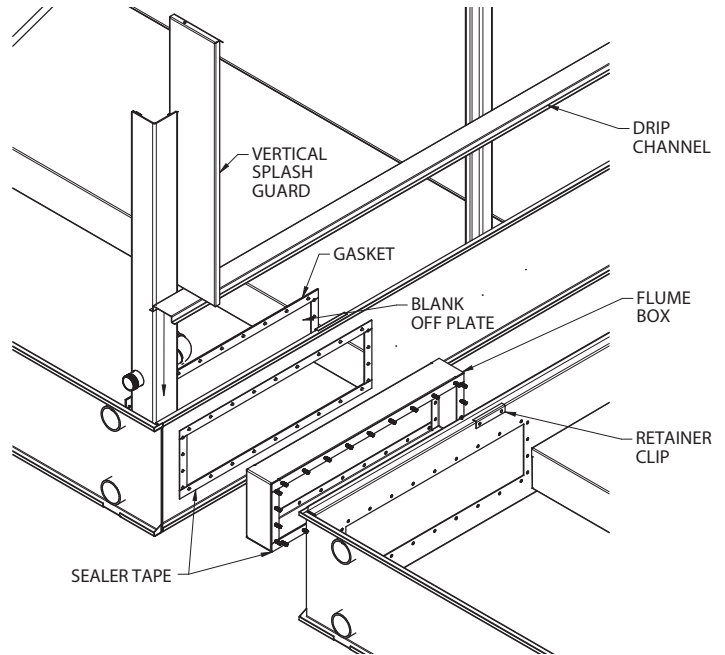


Figure 3 - Equalizer Blank-Off Plate Installation

Application of Sealer Tape

Once the bottom section has been set on the supporting steel and bolted in place, the top flanges should be wiped down to remove any dirt or moisture. Sealer tape should be placed over the mounting hole centerline on the side flanges along the entire length of all sides. Apply two strips of sealer tape, one partially overlapping the other, on the entire length of the *end* flanges (flanges with no bolt holes).

The sealer tape should overlap on the corners as shown in Figure 4a. Do not splice the sealer tape along the end flanges and preferably not on the side flanges if it can be avoided.

Always remove the paper backing from the sealer tape.

All models with two or more top sections must have sealer tape applied along the entire length of all internal flanges, as shown in Figure 4b.

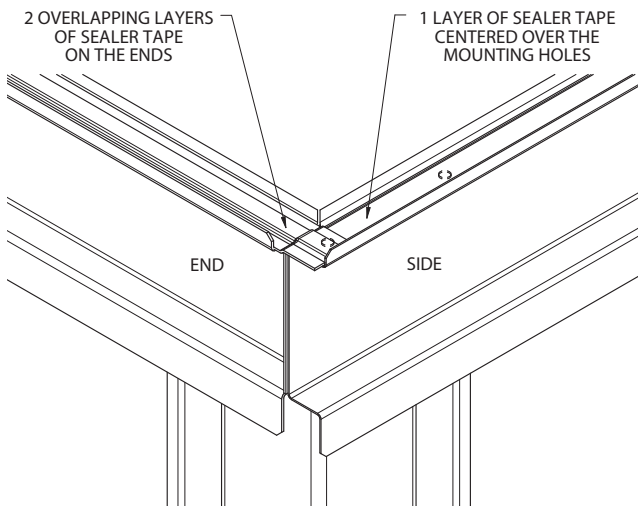


Figure 4a - Sealer Tape on Flange of Bottom Section

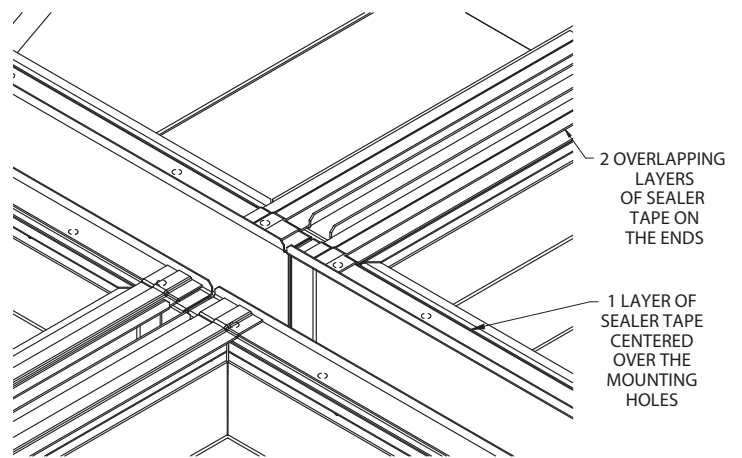


Figure 4b - Sealer Tape Detail for Center Joint of Units with Four Top Sections

Rigging Upper Sections

“U” bolts are provided in the corners of the top section for lifting and final positioning. The hook of the crane must be a minimum dimension “H” above the top section being lifted to prevent undue strain on the “U” bolts. See Table 3 below for the minimum “H” dimension.

Section Width		Section Length		Minimum "H" Dimension	
Feet	Meters	Feet	Meters	Feet	Meters
4	1.2	4	1.2	5	1.5
		6	1.8	6	1.8
		9	2.7	8	2.4
		12	3.6	11	3.4
6	1.8	8.5	2.6	9	2.7
7	2.24	9	2.7	9	2.7
		12	3.6	10	3
		18	5.5	14	4.3
8.5	2.6	6	1.8	7	2.1
		7.5	2.4	8	2.4
		9	2.7	9	2.7
		10.5	3.2	10	3
		12	3.6	10	3
		14	4.3	12	3.6
		18	5.5	14	4.3
10	3	12	3.6	12	3.6
		18	5.5	14	4.3
12	3.6	12	3.6	12	3.6
		14	4.3	13	4
		18	5.5	14	4.3
		20	6	15	4.6
14	4.3	24	7.3	17	5.2
		26	7.8	22	6.7

Table 3 - Minimum “H” Dimension when Lifting Upper Sections

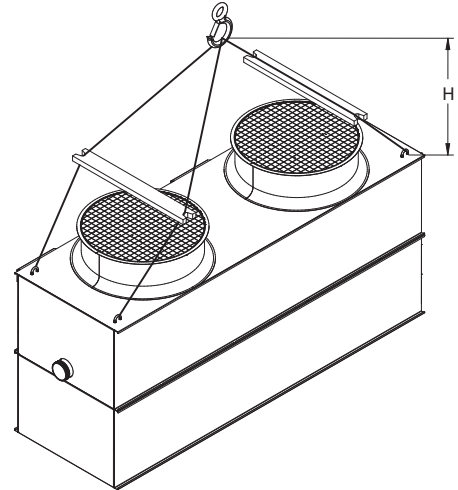


Figure 5a - 4' (1.2m) Wide Two-Fan Unit Upper Section

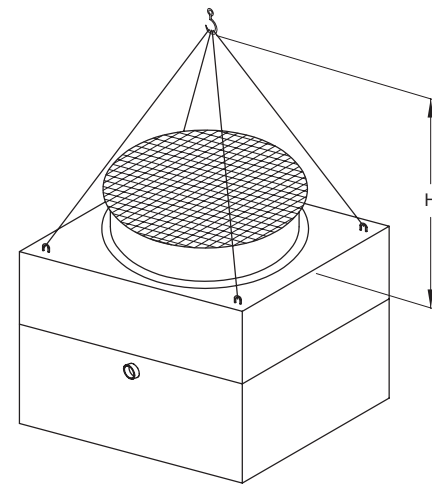


Figure 5b - 10' (3m) Wide Unit Upper Section

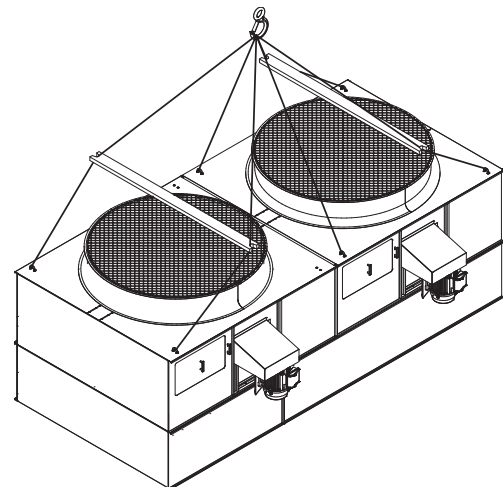


Figure 5c - 8.5' (2.6m) Wide Two-Fan Unit Upper Section



Extended Lifts

Important: The lifting devices and “U” bolts should be used for final positioning only and for lifting where no danger exists. If they are used for extended lifts, safety slings should be provided under the sections.

Safety slings and skids must be removed before final positioning of the unit.

The preferred method for extended lifts is to use slings under the unit, as shown in Figure 6 below. Spreader bars should always be used between the cables at the top of the section to prevent damage to the upper flanges or fan cylinders.

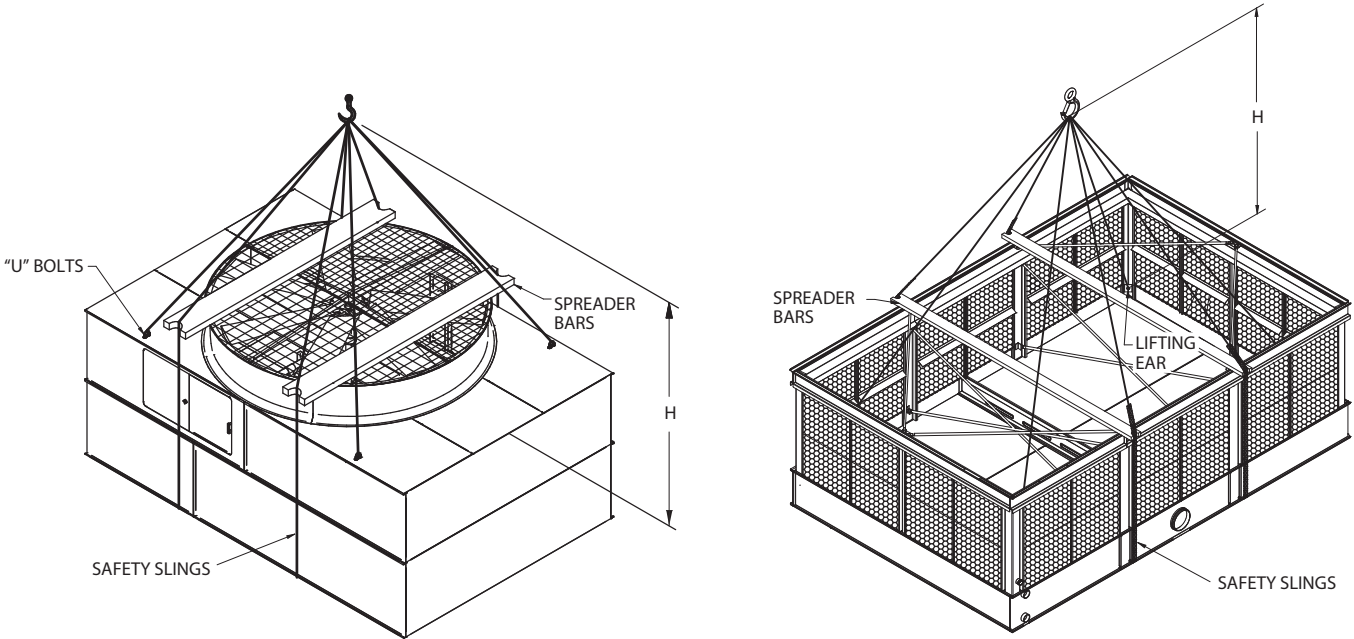


Figure 6 - Extended Lifts

3-Section Shipments

In some cases, a unit is shipped in 3 sections (Fan, Casing and Basin) in lieu of the standard 2 sections (Fan + Casing, and Basin). This is often done to reduce the shipping weight of each individual section, which in turn may reduce the size of the crane required to rig the unit. 3-section shipments also apply to containerized units, which are often shipped in 3 sections in order to fit in a shipping container.

Casing Section Rigging

All casing sections, except 14' x 26' unit's casing sections, will be rigged as a four-point lift as shown in Figure 7a below.

Section Length		Minimum "H" Dimension	
Feet	Meters	Feet	Meters
12	3.6	12	3.6
14	4.3	14	4.3
18	5.5	17	5.2
20	6	18	5.5
24	7.3	17	5.2

Table 4 - Minimum “H” Dimension for Four-Point Lift of Tower Casing Sections

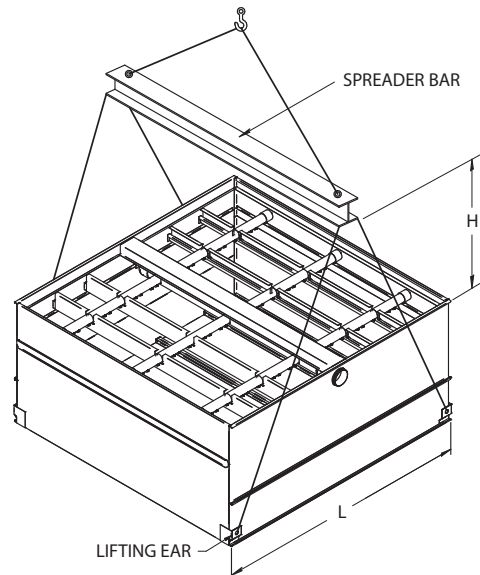


Figure 7a - Four-Point Rigging of Tower Casing Section with Added Lifting Ears

The 14' x 26' unit's casing sections will be provided with six lifting ears and should be rigged as a six-point lift as shown in Figure 7b below.

Section Length		Minimum "H" Dimension	
Feet	Meters	Feet	Meters
26	7.8	22	6.7

Table 5 - Minimum "H" Dimension for Six-Point Lift of 14' x 26' Tower Casing Sections

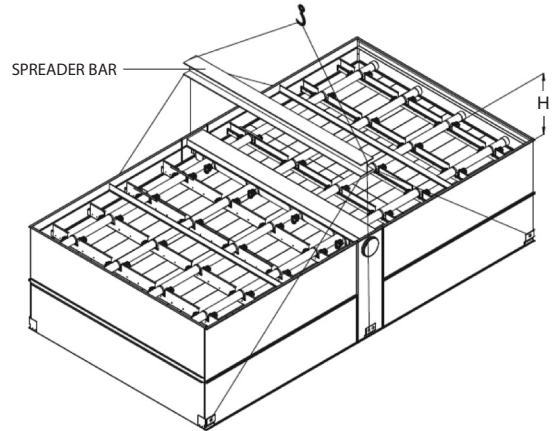


Figure 7b - Six-Point Rigging of 14' x 26' Tower Casing Section with Added Lifting Ears

Fan Section Rigging

When lifting the fan section separate from the casing section, the center of gravity of the fan section is heavily biased towards the location of the fan motor and major drive components. In order to avoid lifting the fan section at a lopsided angle, a three-point lift is necessary.

In such a case, an additional lifting ear is provided by the factory on the mechanical bearing support assembly. The "U" bolts on the fan deck which are located close to the fan motor are removed.

Figure 8 shows the proper three-point lifting method for the fan section. The hook of the crane must be a minimum dimension "H" above the top of the section being lifted to prevent undue strain on the "U" bolts. Figure 9 shows the proper six-point lifting method for a 14' x 26' fan section.

See Table 6 below for minimum "H" dimension to safely lift the fan section during a three-point or a six-point lift.

Section Length		Minimum "H" Standard Fan		Minimum "H" Dimension SLSF	
Feet	Meters	Feet	Meters	Feet	Meters
12	3.6	12	3.6	15	4.6
14	4.3	13	4	17	5.2
18	5.5	14	4.3	19	5.8
20	6	15	4.6	21	6.4
24	7.3	17	5.2	18	5.5
26	7.8	22	6.7	27	8.2

Table 6 - Minimum "H" Dimension for Three-Point and Six-Point Lifts

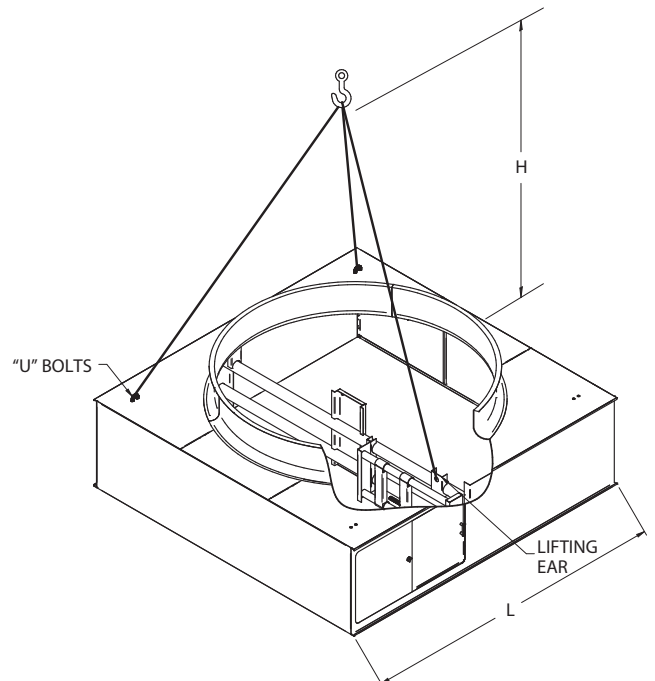


Figure 8 - Three-Point Lift

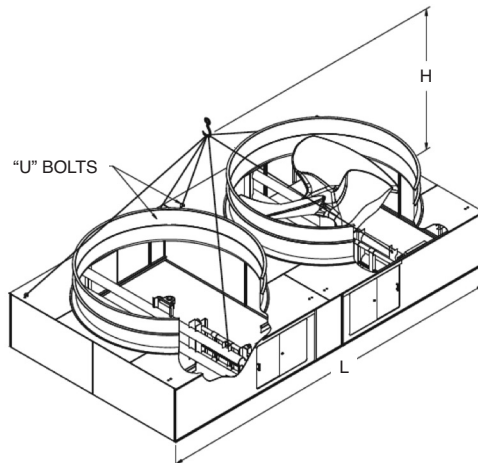


Figure 9 - Six-Point Lift 14' x 26' Fan Section

Prior to lowering the fan section onto the casing section, the side flanges on the casing sections must be cleaned by the installer and have sealer tape applied to them. The ends will need to have 2 overlapping layers of sealer tape applied to them. Follow instructions from the “Application of Sealer Tape” section of this manual.

Drift pins should be used to align the fan section with the casing section. The installer will need to attach the fan section end panels to the casing section end panels and the fan section side panels to the casing section side panels with self-threading tappers (galvanized units) or bolts (stainless units).

Note: Fan screen and fan screen support will be shipped loose in the event of a 3-section shipment. Both these items need to be installed after rigging.

Assembly of the Upper Section to the Bottom Section

Before securing the upper section to the bottom section, remove any loose parts shipped in the basin.

Wipe the flanges on the bottom of the upper section. Check to see that the water distribution connection on the top section is in the correct position relative to the bottom section (see unit certified drawing). Units are also provided with match markings on each section (i.e. A1 of bottom section should match up with A1 of top section).

Lower the upper section to within several inches of the bottom section making sure the two sections do not touch and the sealer tape is not disturbed. Fasten all four corners. Make use of drift pins to simplify the fastening process.

Install the remaining fasteners, working from the corners towards the center. Fasteners must be installed in every hole in the side flanges. No fasteners are required on the end flanges.

Use of Drift Pins for Final Positioning

Drift pins are tools used to align holes in the flanges of the upper and lower sections of the unit prior to final fastening. By the time drift pins are needed, the lower section of the unit has already been anchored to its support structure. The sealer tape has been laid down on the lower section’s flanges, and the upper section is now hovering over the lower section.

A drift pin should be driven in to each of the corner bolt holes such that the upper and lower flanges are aligned as best as possible with sideways motion restricted.

On units which are longer than 12’ (“L” > 12’), a drift pin should be used at an intermediate pair of bolt holes in the rigging seam to allow for proper alignment.

Notes:

For multi-cell units, the side flanges located in between cells can be accessed from inside the unit.

Bolts can be driven upward through the mating flanges if access is restricted.

All rigging hardware is provided by EVAPCO. Drift pins are by others.

Units	Hardware Sizes
4' (1.2m) Wide Units	5/16" Self-Tapping (If Galvanized) 5/16" Nuts & Bolts (If Stainless)
All Others	3/8" Nuts & Bolts (Galvanized or Stainless)

Table 7 - Hardware Sizes

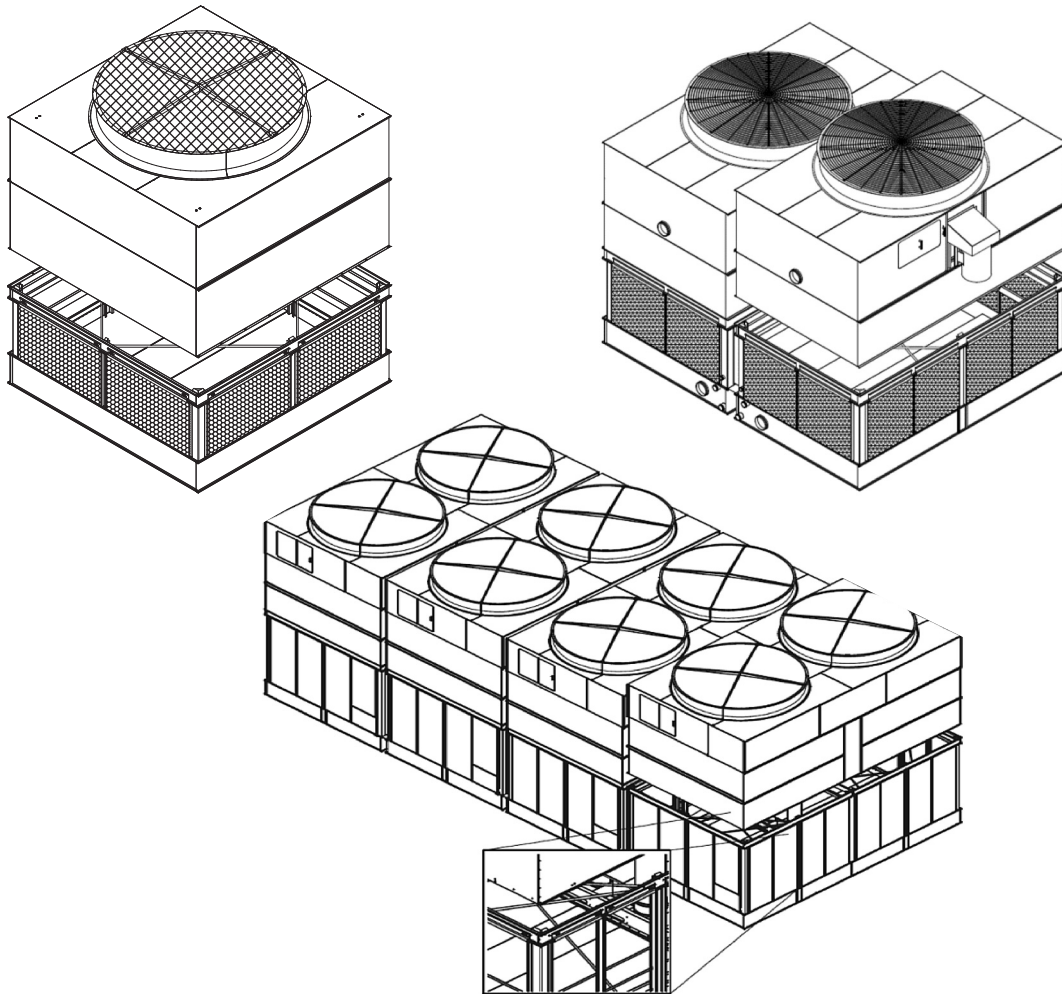


Figure 10 - Assembly of Upper Section to Bottom Section –
Single & Multi-Cell Units



Containerized Unit Assembly

7' (2.24m)] wide AT units are optimized to be transported in export containers for overseas shipment. When these units are required to be shipped in containers, the fan section is loosely bolted to the basin section prior to placing in the container.

Depending on the size of the unit and accessory options, there a few different shipping configurations as outlined below.

	Box Size	# of Containers Required	
		Standard Fan	SLSF
Single Cell	7 x 9	(1) 20'	(1) 40'
	7 x 12	(1) 40' HC	(1) 40'
	7 x 18	(1) 40' HC	(1) 40' + (1) 20'
Multi-Cell	14 x 9	(1) 40' HC	(2) 40'
	14 x 12	(1) 40' HC + (1) 20'	(2) 40'
	14 x 18	(2) 40' HC	(3) 40'
Multi-Cell	7 x 24	(1) 40' HC + (1) 20'	(2) 40'
	7 x 36	(2) 40' HC	(3) 40'

Notes:

HC indicates "High Cube." High cube containers provide an additional foot of container height which allows for standard fan cylinders to ship mounted to the fan sections (See Figure 11 for an example of a high cube container).

Figure 11 below shows an example of a 7' x 18' unit shipping in a 40' high cube container. A high cube container is used so that the fan cylinders can ship mounted to the fan section. In such a case, the fan section is loosely bolted to the basin section.

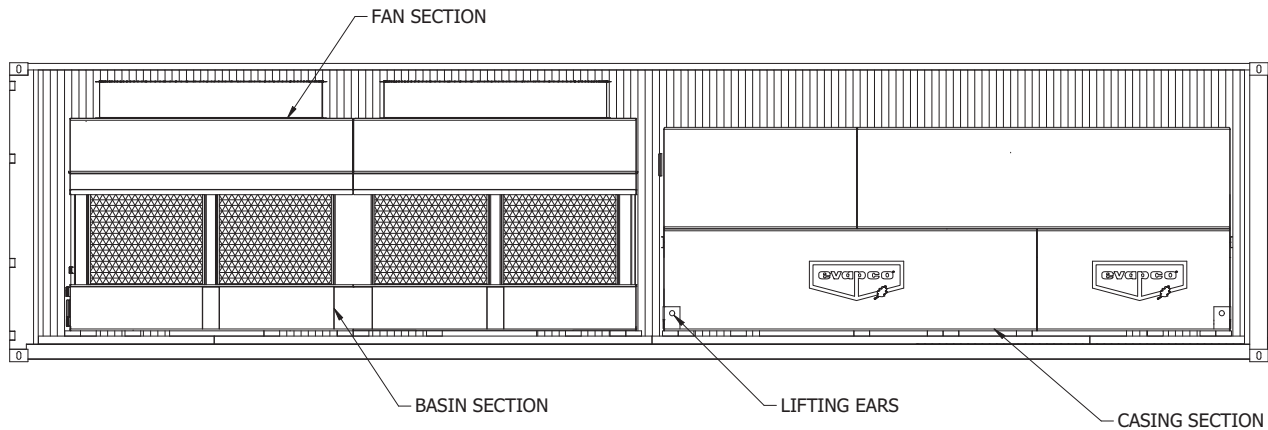


Figure 11 - 40' High Cube Container Shipment

Figure 12 shows a 7' x 9' unit shipping in a 20' standard height container. 20' containers are not available in high cube configuration, therefore requiring the fan cylinders need to ship loose for assembly in the field.

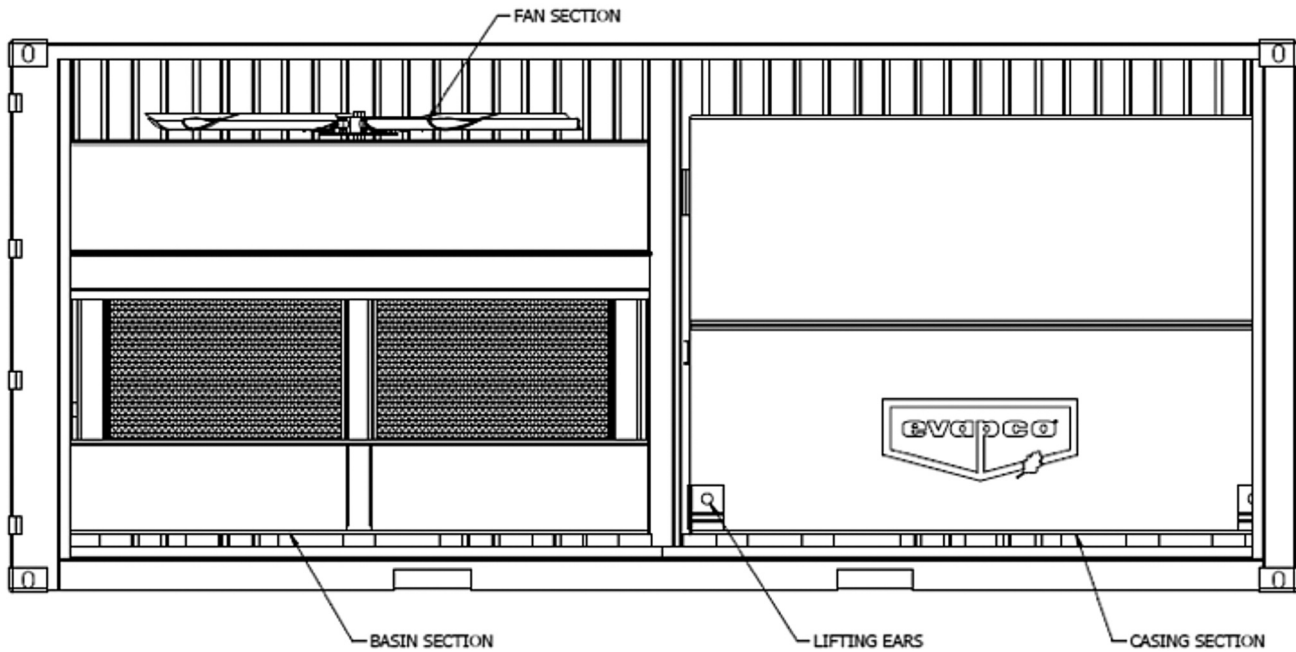


Figure 12 - 20' Standard Height Container Shipment

Instructions to put together fan cylinder:

1. Line up match-markings on the fan deck to ensure proper alignment.
2. Make sure fan assembly is centered within cylinder before attaching to fan section.

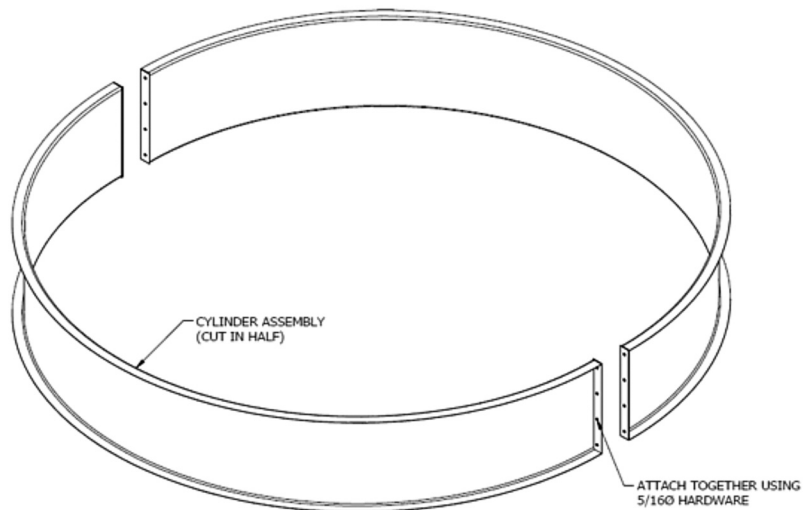


Figure 13 - Split Fan Cylinder for Standard Height Container Shipment



AT/UT/USS/UAT Induced Draft Counterflow Cooling Towers

Figure 14 shows a 7' x 12' unit with super low sound fan shipping in a 40' standard height shipping container. Any containerized unit selected with Super Low Sound Fans will ship in 3 pieces as shown below.

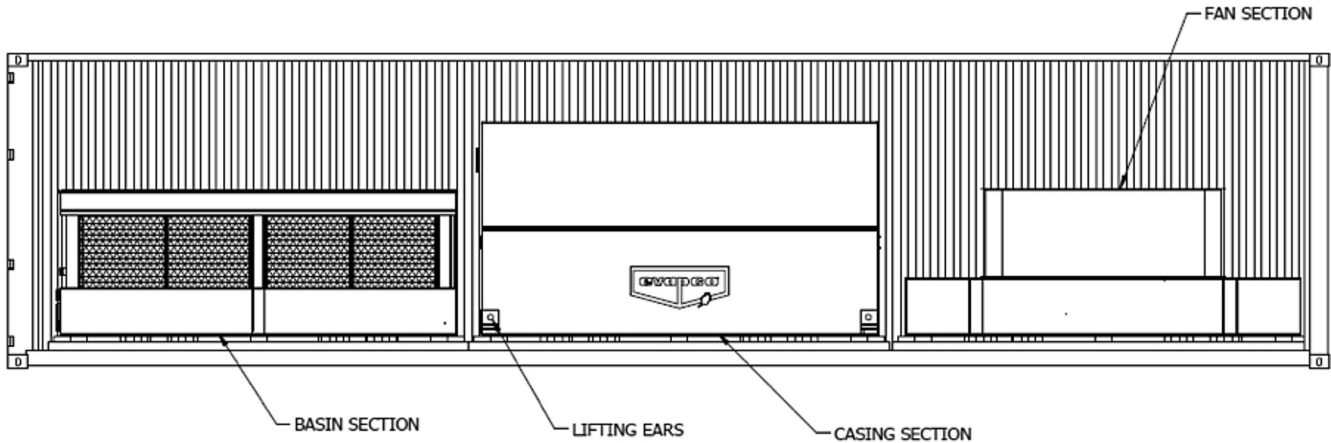
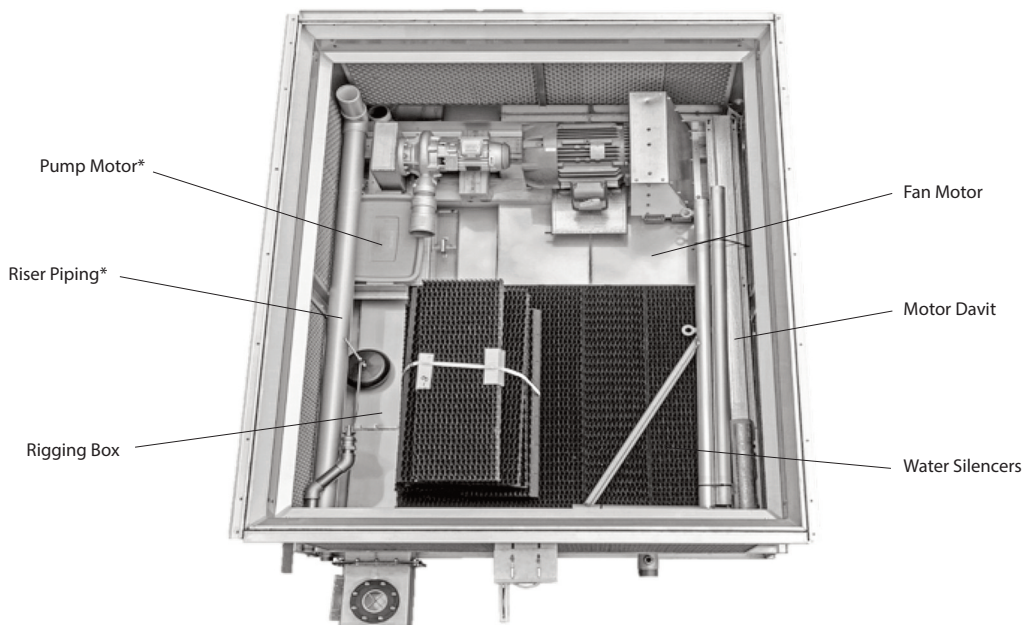


Figure 14 - 40' Standard Height Container, Unit with Super Low Sound Fan

Once the sections have been unloaded from the shipping container, follow the below steps to complete assembly. Please check table of contents for associated page numbers to get to the instructions referenced below.

1. Unbolt fan section from basin section.
2. Lift fan section and rig to casing section using instructions from "3-Section Shipments."
3. Rig basin section using instructions from "Rigging Bottom Sections."
4. Lift upper section (fan + casing) and rig to basin using instructions from "Rigging Upper Sections," and "Assembly of Upper Sections to Lower Sections."

While the image below is not representative of all possible accessory options, but it provides an example of how containerized unit's basins are set up for shipment. Platforms and ladders are strapped to the top of the casing



* On Coolers & Condensers only. Not applicable to towers.

Installing Watertight Partitions & Firewalls

In some cases, a multi-cell unit is ordered with watertight partitions to allow for independent cell operation. To correctly assemble the upper sections to the bottom sections, access to the rigging seams in between cells is necessary. To facilitate with this access, the upper watertight partition is shipped loose for installation in the field. Figure 15 below provides instruction to install these in the field.

Note: The below instruction and arrangement also applies for Factory Mutual (FM) Approved multi-cell units, in which case these partitions will be referred to as firewalls.

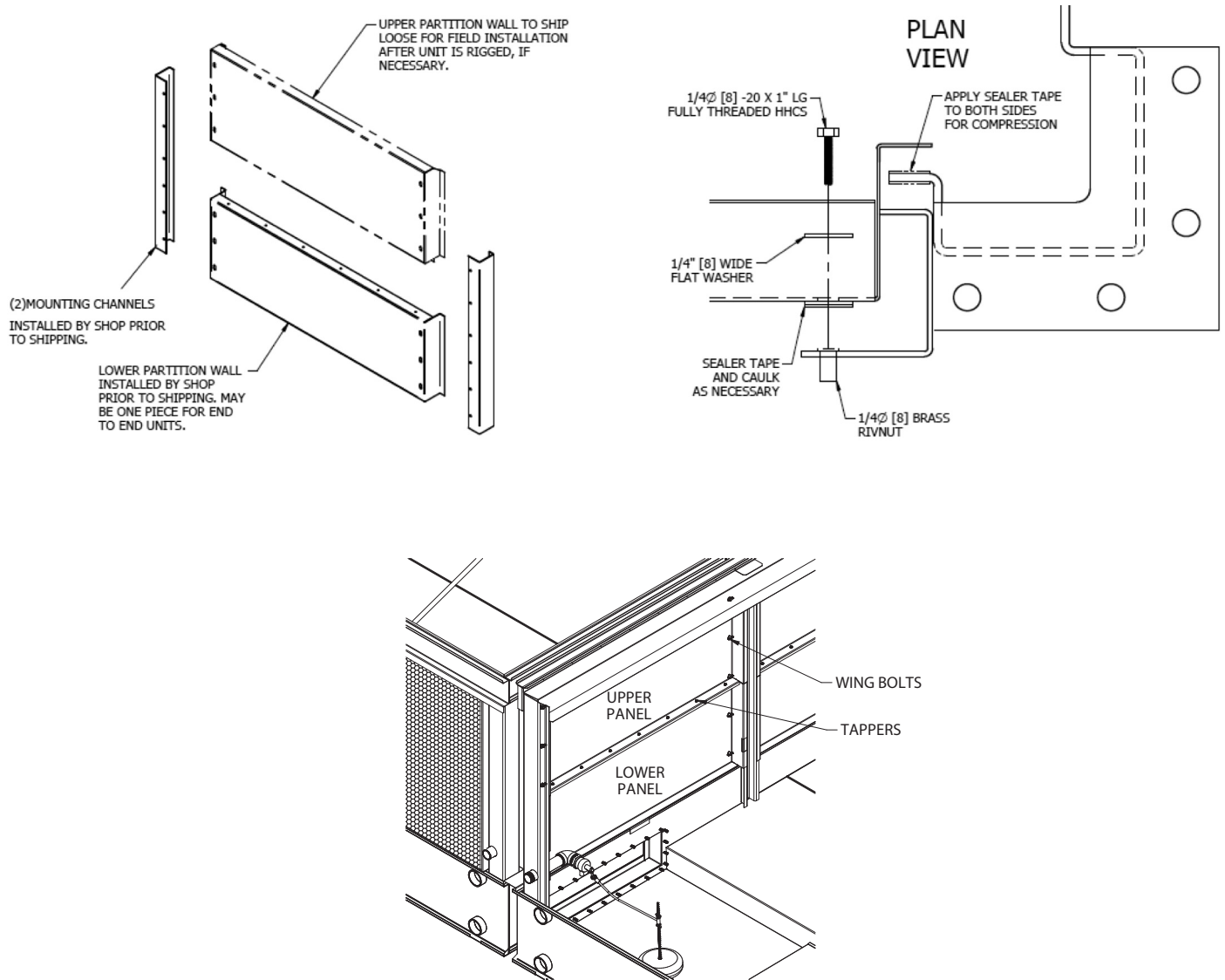


Figure 15 - Upper Partition/Firewall Installation in Field



Rigging Fully Assembled Units

Table 8 lists units which can be rigged with upper and lower section fully assembled and provides the recommended minimum “H” dimension. 10’ (3m), 12’ (3.6m), and 14’ (4.3m) wide single cell units cannot be rigged fully assembled without modification. Multi-cell units cannot be rigged fully assembled.

Notes:

Any unit not listed in the table below cannot be rigged fully assembled.

On units with two fans per top section, models AT 14-2E9 through AT 14-3G12, spreader bars must always be used between the cables at the top of the unit to prevent damage to the fan cylinders.

Section Width		Section Length		Minimum "H" Dimension	
Feet	Meters	Feet	Meters	Feet	Meters
4	1.2	4	1.2	5	1.5
		6	1.8	6	1.8
		9	2.7	8	2.4
		12	3.6	11	3.4
6	1.8	8.5	2.6	7	2.7
7	2.24	9	2.7	9	2.7
		12	3.6	10	3
8.5	2.6	6	1.8	7	2.7
		7.5	2.4	8	2.4
		9	2.7	9	2.7
		10.5	3.2	10	3
		12	3.6	10	3
		14	4.3	12	3.6

Table 8 - Minimum “H” Dimension for Lifting Fully Assembled Units

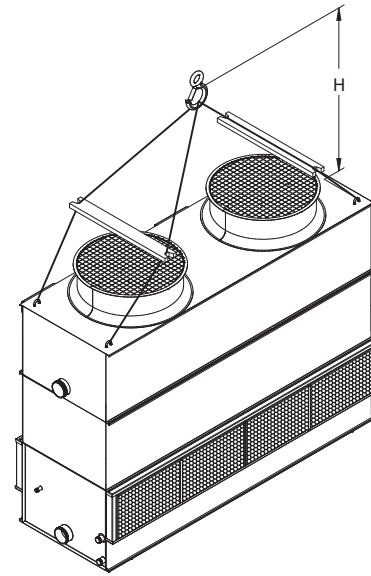


Figure 16a - 4' (1.2m) Wide Two-Fan Fully Assembled Unit

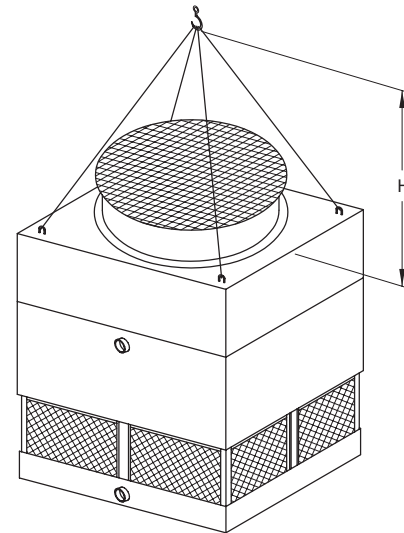


Figure 16b - 8.5' (2.6m) Wide Fully Assembled Unit

External Motor Installation – Belt Drive

All units narrower than 10' (3m) wide have their motors installed outside the unit in a shaft up configuration as shown in figures 14a and 14b below. Due to shipping width restrictions, these motors cannot ship mounted on the units since they would extend past the width of the truck. For this reason, the motor(s), motor base(s), motor guard(s), "J" bolts, pivot pins and belt(s) are shipped in the cold-water basin of the cooling tower. Please follow the step-by-step instructions below to properly install these components.

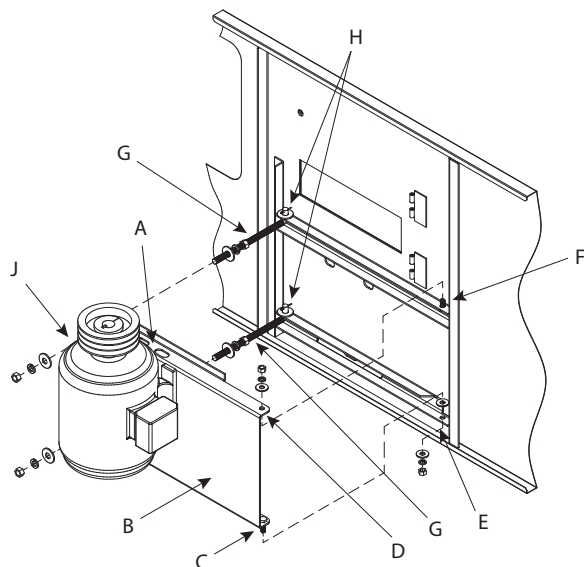


Figure 17a - External Motor Installation

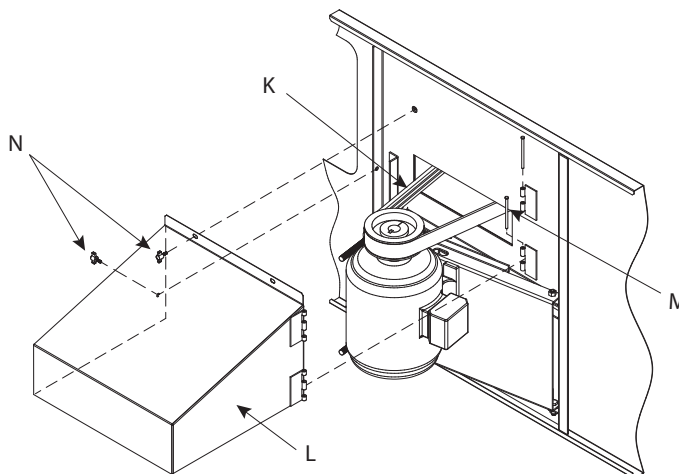


Figure 17b - Motor Guard and Power-Band Belt Installation

1. Study Figure 17a above before installing the motor base on the unit.
2. Insert the lifting device into the slots **A** located on the top of the motor base.
3. Lift the motor base **B** and insert the pivot pin **C** down into hole **E** and pivot pin **F** into hole **D**.
4. Install washer and nut (do not overtighten) on pivot pins. Install jam nut on pivot pin **C**.
5. Insert "J" bolts **G** into holes **H**. Install flat washers and cotter pins. Place nuts and washers on threaded portion of "J" bolts. These will be behind the motor base installed in the next step.
6. Install "J" bolts **G** into holes **J** in the motor base. Install flat washers, lock washer and nuts. Remove lifting device from the motor base. Position motor base towards top section of unit for belt installation.
7. Install Power-Band belt **K** (Figure 17b) around fan sheave and motor sheave. Tighten belt by adjusting nuts on "J" bolts. Do not overtighten the belts. The center of the belt should deflect approximately 3/4" in the horizontal plane with moderate hand pressure.
8. Measure to see that the top and bottom of the motor base are the same distance out from the casing of the unit. This will ensure that the sheaves are properly aligned since the driven sheave on the fan shaft comes pre-set from the factory.
9. As a final check, lay a straight edge from sheave to sheave as shown below in Figure 18. There should be four-point contact. Adjust the position of the motor sheave as necessary until four-point contact is achieved.
10. To install motor guard **L**, match up hinges and install hinge pins **M** as shown in Figure 17b.
11. Close motor guard **L** and install wing bolts **M**.

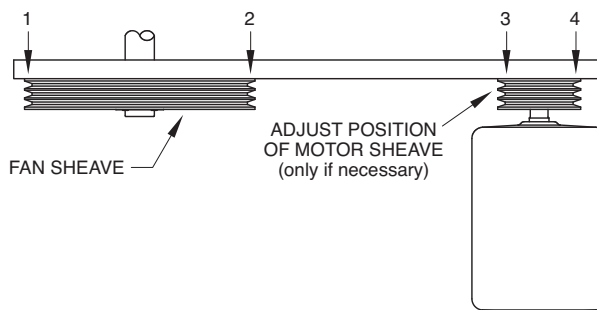


Figure 18 - Sheave Alignment Check

Note: For European market, additional belt cover plate needs to be installed.

Optional Motor & Gear Box Davit Installation

Motor davits, also known as jib-booms, are offered by EVAPCO as an optional accessory to facilitate removal of the motor, fan assembly or gear box. The assembly consists of a davit and a mounting base that is to be attached to the side of the unit next to the access door, as shown below in Figure 19. Both these items will ship loose in the unit's basin. On multi-cell units, there will be provisions to install a mounting channel on each cell. Use the following procedure to install the mounting channel:

1. Align the mounting channel with 3/8" bolts and flat washers to the factory installed mounting brackets
2. Use 3/8" flat washers, lock washers and nuts to secure the mounting channel to the bracket, as shown in Figure 20.

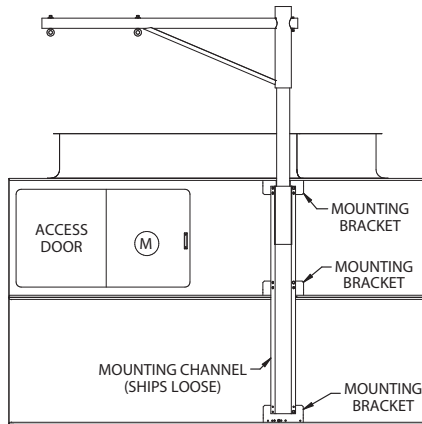


Figure 19 - Dual-Point Davit Arrangement

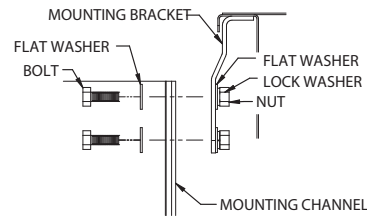


Figure 20 - Mounting Channel Installation

External Motor Installation – Gear Drive

1. Mount the motor base assembly to the motor base yoke using (4) 3/8" x 1-1/2" grade 5 bolts on each side of the motor base assembly. Do not fasten any hardware until step 2 is complete.
2. In addition to the grade 5 bolts, please install (2) 5/16" spring pins on each side of the motor base assembly as shown in Figure 21.
3. Use flat washers, lock washers and nuts to secure the grade 5 bolts mentioned in step 1.

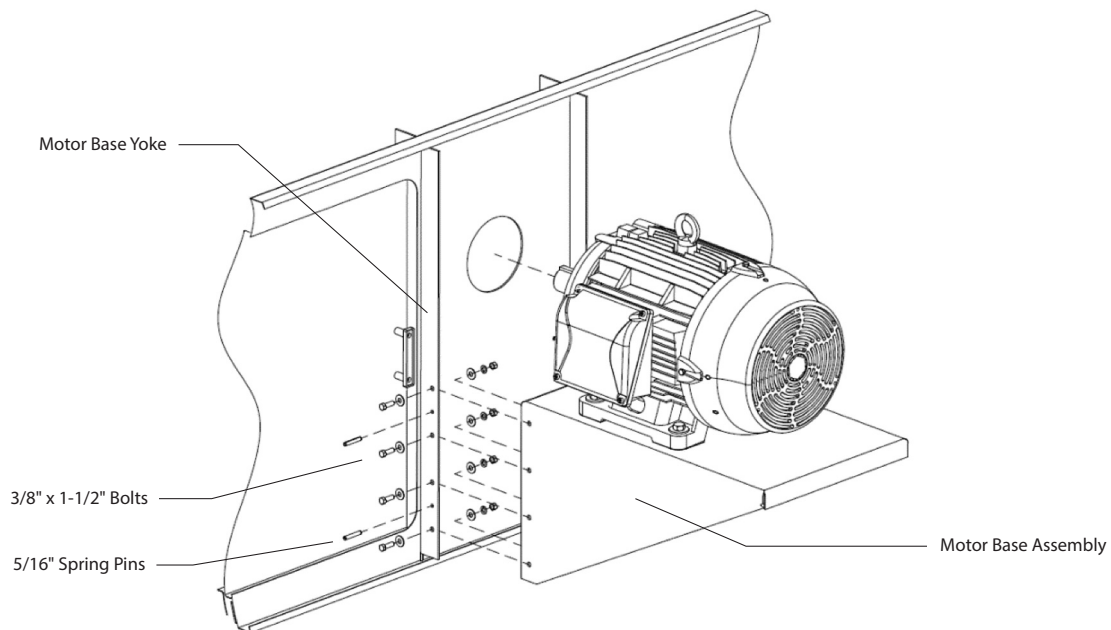


Figure 21 - External Motor Installation for Gear Drive Applications

Floating Shaft Installation & Alignment

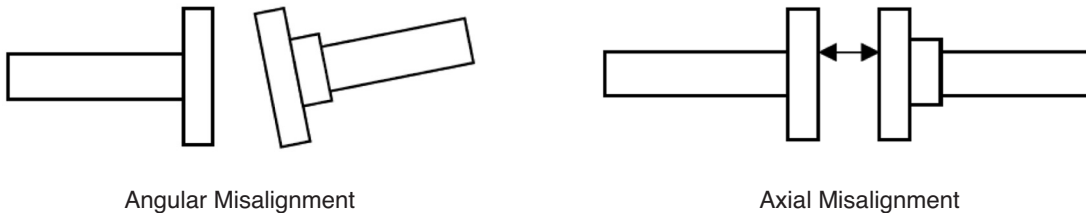
Before proceeding with the steps that follow, please ensure that the motor and the gearbox are level with respect to themselves.

1. Mount the drive shaft with the flexible element assembly on the gear drive input shaft using the supplied 3/8" hardware. All bolts, lock washers and nuts are supplied with the drive shaft kit.
2. Insert steel bushings into the composite flexible elements on the motor side.
3. Mount the drive shaft with the flexible element assembly on the motor output shaft using the supplied 3/8" hardware. All bolts, lock washers and nuts are supplied with the drive shaft kit.
4. Torque requirements for the bolts are listed in the table below; These values are dependent upon the shaft model.

Shaft Model	Torque Requirement
LRF 450	144 in-lbs (12 ft-lbs)
Amarillo Model 52	100 in-lbs (8.33 ft-lbs)
Amarillo Model 60	310 in-lbs (25.83 ft-lbs)

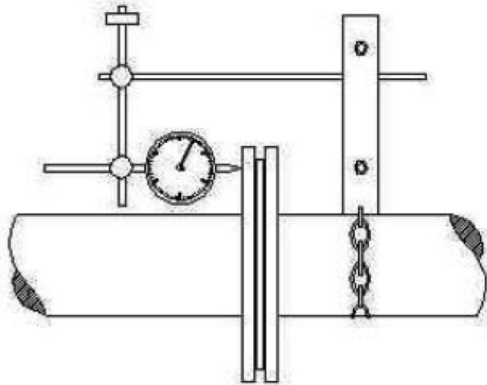
Table 9 - Torque Requirements for Floating Shaft Assemblies

5. Check angular and axial misalignment between the drive shaft and both the motor and gear drive couplings.

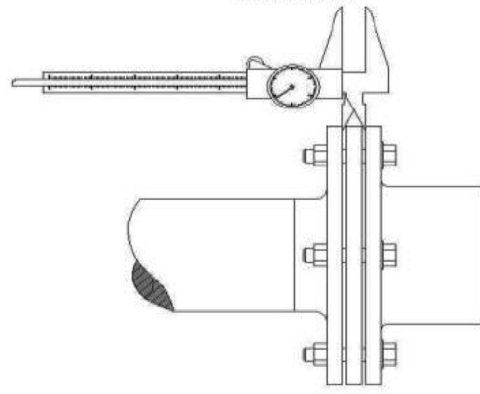


6. Check angular misalignment with a dial caliper on **gear drive side**, as shown in Figure 19.
7. Attach the dial indicator support to the drive shaft and position the indicator tip to read off the opposite side flange.
8. With the dial indicator set to zero, rotate the shaft 360° and record the indicator readings at 90° increments.
9. For Amarillo shafts, the range between the minimum and maximum values should be less than 0.030 inches for the Model 52, and less than 0.035 inches for the Model 60. Range between minimum and maximum values for the LRF 450 shaft should be less than 0.010 inches.
10. When the angular alignment is within the acceptable ranges as mentioned in step 9, securely tighten all gear drive hardware.

11. Repeat steps 7, 8 and 9 to check angular misalignment with a dial caliper on **motor side**.
12. When the angular alignment is within the acceptable ranges as mentioned in step 9, securely tighten all motor hardware.
13. Re-check alignment with the dial indicator at both the gear drive and the motor ends to ensure that misalignment did not occur during final bolt tightening.



Angular Misalignment Check with Dial Indicator



Angular Misalignment Check with Dial Caliper

Figure 22 - Checking Angular and Axial Misalignment

14. Check axial misalignment (hub separation) with the dial caliper on both the gear drive side and the motor side (See Figure 22).
15. Without rotating the shaft, measure the gap between the shaft flange and the hub flange on both ends. Take four (4) readings around the perimeter at 90° intervals.
16. For the Amarillo shafts, the nominal gap is 0.785 inches. If the average of the four values for each end measured varies from the nominal gap by +/- 0.030 inches, then the hubs must be repositioned. For the LRF 450 shafts, the nominal gap is to be 0.430 inches. If the average of the four values for each end measured varies from the nominal gap by +/- 0.010 inches, then the hubs must be repositioned.
17. Your floating shaft assembly installation is now complete.

Mounting Fan Screens

On 10' (3m) wide units and larger, a conical fan screen support is used in order to prevent the fan screen from sinking down into the fan cylinder. In some cases, shipping height restrictions may require the fan screen support(s) and fan screen(s) to ship loose for installation in the field. Please follow the below instructions to install these components on the fan cylinder(s).

1. Set the fan screen support across the top of the fan cylinder as shown in Figure 23.
2. Place both halves of the fan screen on top of the fan screen support. Each half will be tagged to match markings on the cylinder. Align the eyelets of the fan screen with the holes on the cylinder perimeter.
3. Join the two screen halves with "U" bolts, as shown in Figure 24.
4. At each hole, attach the fan screen to the fan cylinder as shown in Figure 23. At the four points where the fan screen support meets the cylinder, bolt the support to the cylinder together with the fan screen.

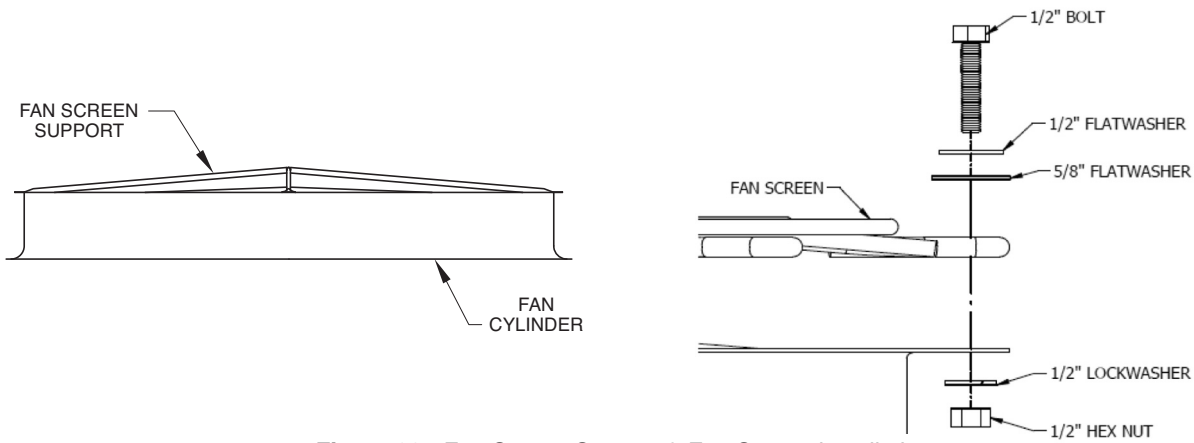


Figure 23 - Fan Screen Support & Fan Screen installation

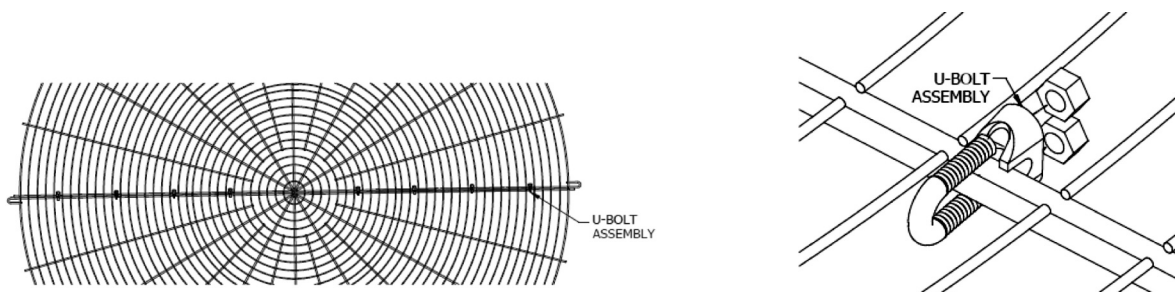


Figure 24 - U-Bolt Assembly Spacing & Arrangement

Note: European market utilizes alternative CE compliant fan screen with 30mm x 30mm mesh. Screen has 120mm clearance from trailing edge of fan blades.

Sloped Ladder Installation

When sloped ladders are supplied with a unit, they are shipped in the unit's basin. One sloped ladder will be provided for each cell. Assembly is identical for each cell, unless otherwise noted in the submittal.

Sloped ladders are attached at a minimum of three points. At each point of attachment, the ladder will be fitted with a ladder bracket assembly. The ladder bracket assembly looks like a metal box and is shown as component d in Figure 25 below. The upper two assembly brackets will be rigidly mounted to the ladder and are not adjustable. These two brackets define the slope of the ladder. The lower bracket(s) are adjustable.

To install the ladder assembly, complete the steps that follow. Refer to Figure 25:

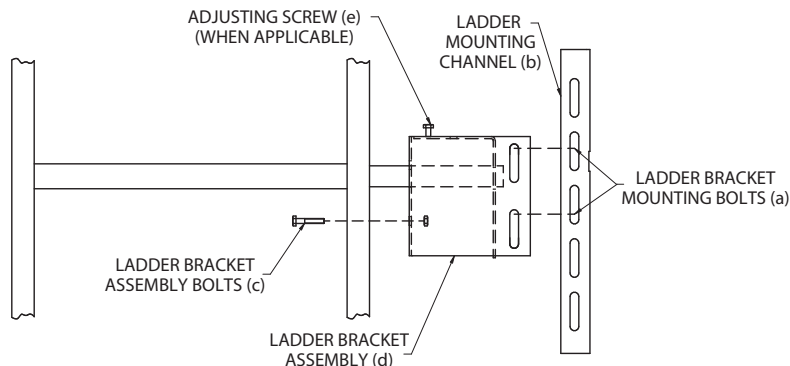


Figure 25 - Detail of Ladder, Ladder Bracket Assembly & Mounting Channel

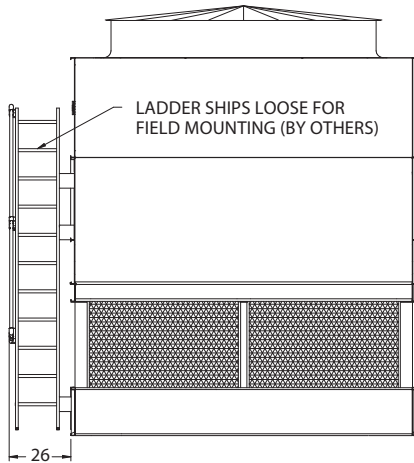


Figure 25a - End View of Ladder Assembly

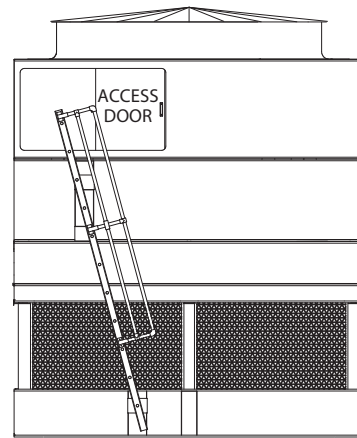


Figure 25b - Side View of Ladder Assembly

1. Remove the ladder bracket mounting bolts (a) from the ladder mounting channels (b) on basin and casing sections.
2. Loosen, but do not remove, the ladder bracket and assembly bolts (c).
3. Slide the bracket assembly (d) over the ladder mounting channels (b) located on the pan and casing sections. Do not remove the ladder bracket assembly (d) from the ladder.
4. Align the bolts and reinstall the ladder bracket assembly mounting bolts (a) through the ladder bracket assembly and the ladder mounting channels (b).
5. Tighten all bolts.
6. Tighten the adjusting screw (e) in the adjustable mounting bracket where applicable.

Notes:

Upper section of unit must be properly oriented with respect to the lower section.

All mounting brackets must be on the same side of the unit. Refer to submittal for proper orientation.

Sloped ladders are not CE compliant & are not available for European market.

External Platform and Vertical Ladder Installation

If your unit is accessorized with an external service platform assembly with a vertical ladder, this equipment is shipped in the basin of your unit. In some cases, they are shipped separately due to other basin accessories that may interfere with storage. The platform is partially assembled prior to shipment to minimize field assembly.

Typically, there is one working platform and ladder assembly per fan section. Refer to your factory submittal for details.

The platform and ladder assembly should be attached after the unit is fully rigged, by following the instructions in the drawing below.

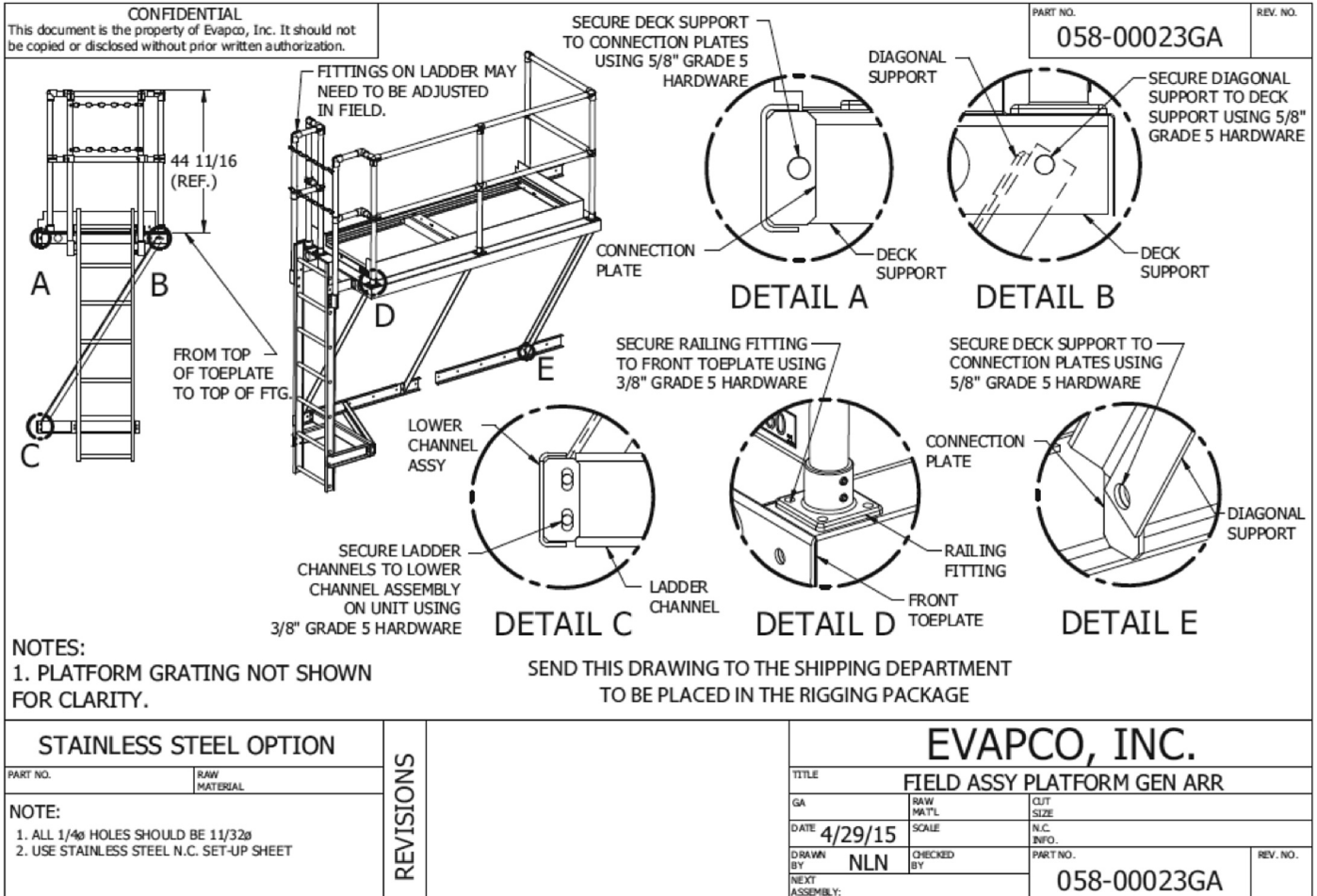


Figure 26 - Platform Mounting General Arrangement

Field Assembly of Bottom Inlet

On 10' (3m) wide units and larger, the option is available to locate the inlet connection on the bottom of the unit. In such cases, internal piping is provided which allows the process water to make its way to the hot water distribution system. Please follow the below steps to complete field installation of the bottom inlet option after the unit is rigged.

1. Assemble the cooling tower in accordance with the rigging and assembly instructions provided.
2. Locate the bottom inlet assembly components, namely the riser pipe, two flexible reinforced pipe connectors and four pipe clamps per cell. 14' (4.3m) wide AT towers have eight pipe clamps per cell. These components are fastened securely in the unit's basin prior to shipment.
3. Position the riser pipe assembly above the lower pipe nipple in the basin section.
4. Loosen the pipe clamps and slip the pipe connector down over the lower pipe nipple.
5. Align the bottom inlet connection assembly with the upper pipe nipple in the bottom of the fill/casing section, loosen the pipe clamps and slip the pipe connector up over the upper pipe nipple.
6. Tighten all pipe clamps. A ratchet wrench is recommended.
7. Repeat this process for each cell in a multi-cell arrangement.

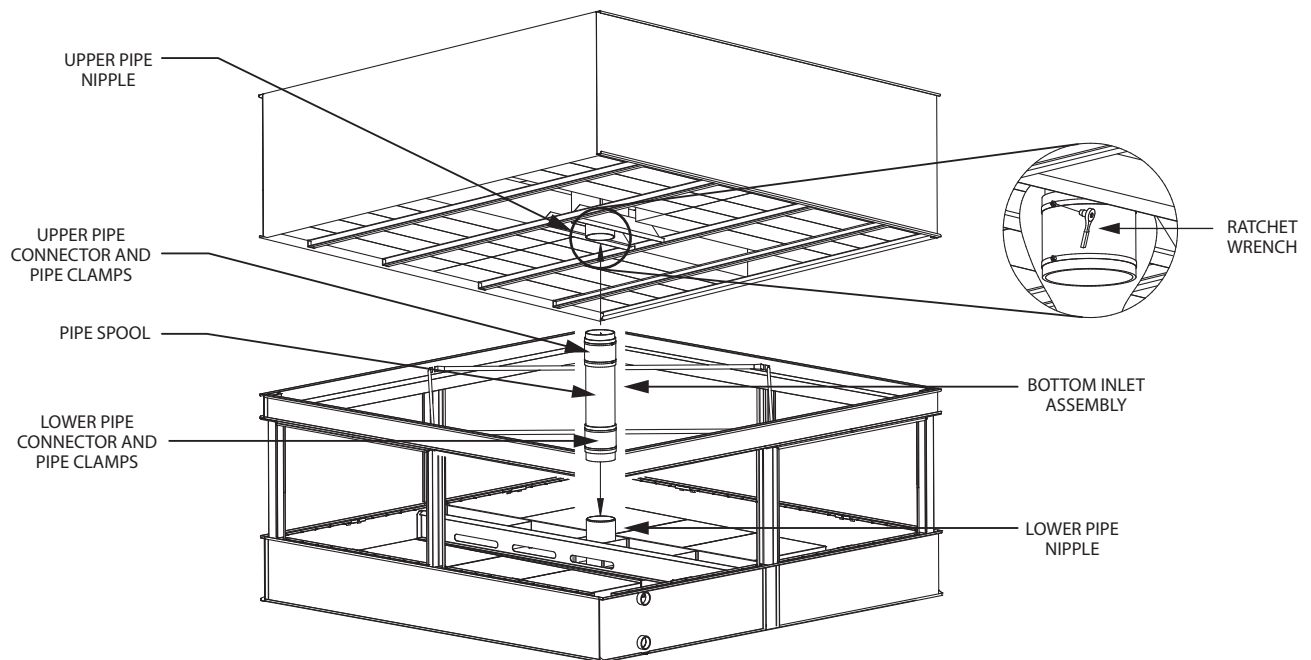


Figure 27 - Bottom Inlet Riser Pipe Installation



Notes:



EVAPCO, Inc. • P.O. Box 1300 • Westminster, MD 21158 USA
PHONE: 410-756-2600 • FAX: 410-756-6450 • E-MAIL: marketing@evapco.com

©2018 EVAPCO, Inc.



Printed on recycled paper
using soy-based ink