

Rigging and Assembly Instructions

ESWA CLOSED CIRCUIT COOLERS

EVAPCO products are manufactured worldwide:

EVAPCO, Inc. — World Headquarters & Research/Development Center

EVAPCO, Inc. • P.O. Box 1300 • Westminster, MD 21158 USA
PHONE: 410-756-2600 • FAX: 410-756-6450 • E-MAIL: marketing@evapco.com

EVAPCO North America

EVAPCO, Inc.
World Headquarters
P.O. Box 1300
Westminster, MD 21158 USA
Phone: 410-756-2600
Fax: 410-756-6450
E-mail: marketing@evapco.com

EVAPCO East
5151 Allendale Lane
Taneytown, MD 21787 USA
Phone: 410-756-2600
Fax: 410-756-6450
E-mail: marketing@evapco.com

EVAPCO Midwest
1723 York Road
Greenup, IL 62428 USA
Phone: 217-923-3431
Fax: 217-923-3300
E-mail: evapcomw@evapcomw.com

EVAPCO West
1900 West Almond Avenue
Madera, CA 93637 USA
Phone: 559-673-2207
Fax: 559-673-2378
E-mail: contact@evapcowest.com

EVAPCO Iowa
925 Quality Drive
Lake View, IA 51450 USA
Phone: 712-657-3223
Fax: 712-657-3226

**EVAPCO Iowa
Sales & Engineering**
1234 Brady Boulevard
Owatonna, MN 55060 USA
Phone: 507-446-8005
Fax: 507-446-8239
E-mail: evapcomn@evapcomn.com

**Refrigeration Valves &
Systems Corporation**
A wholly owned subsidiary of EVAPCO, Inc.
1520 Crosswind Dr.
Bryan, TX 77808 USA
Phone: 979-778-0095
Fax: 979-778-0030
E-mail: rvs@rvscorp.com

McCormack Coil Company, Inc.
A wholly owned subsidiary of EVAPCO, Inc.
P.O. Box 1727
6333 S.W. Lakeview Boulevard
Lake Oswego, OR 97035 USA
Phone: 503-639-2137
Fax: 503-639-1800
E-mail: mail@mmcoil.com

EvapTech, Inc.
A wholly owned subsidiary of EVAPCO, Inc.
8331 Nieman Road
Lenexa, KS 66214 USA
Phone: 913-322-5165
Fax: 913-322-5166
E-mail: marketing@evaptech.com

Tower Components, Inc.
A wholly owned subsidiary of EVAPCO, Inc.
5960 US HWY 64E
Ramseur, NC 27316
Phone: 336-824-2102
Fax: 336-824-2190
E-mail: mail@towercomponentsinc.com

EVAPCO Newton
701 East Jourdan Street
Newton, IL 62448 USA
Phone: 618-783-3433
Fax: 618-783-3499
E-mail: evapcomw@evapcomw.com

EVAPCO Europe

EVAPCO Europe, N.V.
European Headquarters
Industrieterrein Oost 4010
3700 Tongeren, Belgium
Phone: (32) 12-395029
Fax: (32) 12-238527
E-mail: evapco.europe@evapco.be

EVAPCO Europe, S.r.l.
Via Ciro Menotti 10
I-20017 Passirana di Rho
Milan, Italy
Phone: (39) 02-939-9041
Fax: (39) 02-935-00840
E-mail: evapcoeuropa@evapco.it

EVAPCO Europe, S.r.l.
Via Dosso 2
23020 Piateda Sondrio, Italy

EVAPCO Europe, GmbH
Bovert 22
D-40670 Meerbusch, Germany
Phone: (49) 2159-69560
Fax: (49) 2159-695611
E-mail: info@evapco.de

Flex coil a/s
A wholly owned subsidiary of EVAPCO, Inc.
Knøsgårdvej 115
DK-9440 Aabybro Denmark
Phone: (45) 9824 4999
Fax: (45) 9824 4990
E-mail: info@flexcoil.dk

EVAPCO S.A. (Pty.) Ltd.
A licensed manufacturer of Evapco, Inc.
18 Quality Road
Isando 1600
Republic of South Africa
Phone: (27) 11-392-6630
Fax: (27) 11-392-6615
E-mail: evapco@icon.co.za

Tiba Engineering Industries Co.
A licensed manufacturer of Evapco, Inc.
5 Al Nasr Road St.
Nasr City, Cairo, Egypt
Phone: (20) 2-290-7483/(20) 2-291-3610
Fax: (20) 2-404-4667/(20) 2-290-0892
E-mail: manzgroup@tedata.net.eg

EVAPCO Asia/Pacific

EVAPCO Asia/Pacific Headquarters
1159 Luoning Rd. Baoshan Industrial Zone
Shanghai, P. R. China, Postal Code: 200949
Phone: (86) 21-6687-7786
Fax: (86) 21-6687-7008
E-mail: marketing@evapcochina.com

**Evapco (Shanghai) Refrigeration
Equipment Co., Ltd.**
1159 Luoning Rd., Baoshan Industrial Zone
Shanghai, P.R. China, Postal Code: 200949
Phone: (86) 21-6687-7786
Fax: (86) 10 6166-7238
E-mail: marketing@evapcochina.com

**Beijing EVAPCO Refrigeration
Equipment Co., Ltd.**
Yan Qi Industrial Development District
Huai Rou County
Beijing, P.R. China, Postal Code: 101407
Phone: (86) 10 6166-7238
Fax: (86) 10 6166-7395
E-mail: evapcoobj@evapcochina.com

Evapco Australia (Pty.) Ltd.
34-42 Melbourne Road.
P.O. Box 436
Riverstone, N.S.W. Australia 2765
Phone: (61) 2 9627-3322
Fax: (61) 2 9627-1715
E-mail: sales@evapco.com.au

EvapTech Asia Pacific Sdn. Bhd
A wholly owned subsidiary of EvapTech, Inc.
IOI Business Park, 2/F Unit 21
Persiaran Puchong Jaya Selatan
Bandar Puchong Jaya,
47170 Puchong, Selangor, Malaysia
Phone: (60-3) 8070 7255
Fax: (60-3) 8070 5731
E-mail: marketing-ap@evaptech.com

**EVAPCO...SPECIALISTS IN HEAT TRANSFER
PRODUCTS AND SERVICES.**



Method of Shipment

ESWA models are shipped with the top section(s) separate from the bottom section(s). These sections have mating flanges and will join together in a waterproof joint when sealed and bolted together as described in the following instructions. Miscellaneous items, such as sealer tape, bolt sets and any other required materials, are packaged and placed inside the pan for shipment.

For 8.5' wide units, the motors and drives are factory aligned and then shipped loose inside the basin section for mounting during installation. Refer to the "External Motor Installation" section in this bulletin.

Storage

Do not place tarps or other coverings over the top of the units if the units are to be stored before installation. Excessive heat can build up if the units are covered, causing possible damage to the PVC eliminators, louvers or fill. For extended storage beyond six months rotate the fan and fan motor shaft(s) monthly. Also, the fan shaft bearings should be purged and greased prior to start-up.

International Building Code Provisions

The International Building Code (IBC) is a comprehensive set of regulations addressing the structural design and installation requirements for building systems – including HVAC and industrial refrigeration equipment. As of June 2008, all 50 states plus Washington D.C have adopted the International Building Code. The code provisions require that evaporative cooling equipment and all other components permanently installed on a structure must meet the same seismic design criteria as the building. The ESWA Closed Circuit Coolers are IBC 2006 compliant up to 1g with standard construction and up to 5.12g with additional structural modifications.

All items attached to the Evapco ESWA Closed Circuit Cooler must be independently reviewed and isolated to meet applicable wind and seismic loads. This includes piping, ductwork, conduit, and electrical connections. These items must be flexibly attached to the Evapco unit so as not to transmit additional loads to the equipment as a result of seismic or wind forces.

Structural Steel Support

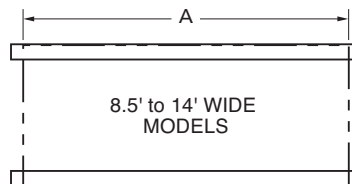
Evapco recommends supporting the unit with two structural "I" beams that span the entire length of the unit*. These beams should be located underneath the outer flanges of the unit. (See Figure 1). Mounting holes, 3/4" in diameter, are located in the bottom flange for bolting to the structural steel (see certified print for exact bolt hole location). Bolt the bottom section to the steel support before rigging the top section.

Beams should be sized in accordance with accepted structural practices. Maximum deflection of the beam under the unit to be 1/360 of the unit length, not to exceed 1/2". Deflection may be calculated by using 55% of the operating weight as a uniform load on each beam (see certified print for operating weight).

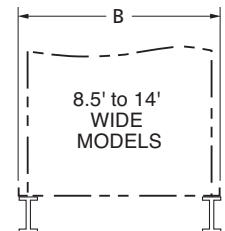
The supporting "I" beams should be level before setting the unit. Do not level the unit by shimming between the bottom flange and the beams as this will not provide proper longitudinal support.

Support beams and anchor bolts are to be furnished by others. Always refer to certified print for unit weights, dimensions and technical data.

Note: Consult IBC 2006 for required steel support layout and structural design.



**Figure 1A
Plan Views**



**Figure 1B
End Elevations**

* The Engineer of Record is ultimately responsible for the steel support design and may require additional cross beams based on loads.

Unit Footprint	A	B
8.5' x 9'	8' 11-1/2"	8' 5-1/2"
8.5' x 12'	11' 11-3/4"	8' 5-1/2"
8.5' x 18'	18' 0"	8' 5-1/2"
12' x 12'	11' 11-3/4"	11' 10"
12' x 18'	18' 0"	11' 10"
14' x 24'	23' 9"	13' 11-1/4"
14' x 48'	47' 8-1/2"	13' 11-1/4"

Table 1 – ESWA Supporting Steel Dimensions



Rigging the Bottom Section: Standard Lift

Lifting devices are located in the upper corners of the coil as shown in Figures 2-4. The hook of the crane must be a minimum dimension of "H" above the top of the coil to prevent undue strain on the lifting devices.

See Table 2 for the minimum "H" dimension. Bolt the bottom section to the steel support before rigging the top section of the unit.

The unit lifting devices should not be used for extended lifts or where any hazard exists unless safety slings are employed under the section.

Basin Section Length	Min. "H" Dim. (above coil)
9 Feet	7 Feet
12 Feet	10 Feet
18 Feet	12 Feet
24 Feet	19 Feet

Table 2 – Minimum "H" Dimension for Basin Sections

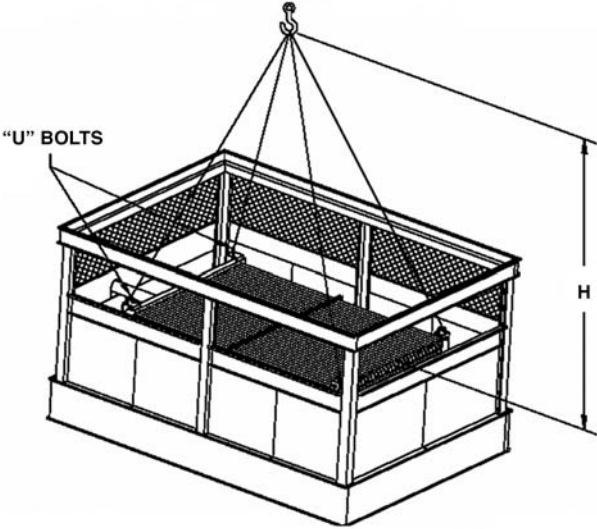


Figure 2 – ESWA Bottom Section (8.5' x 9', 8.5' x 12', 8.5' x 18') 4 point rig

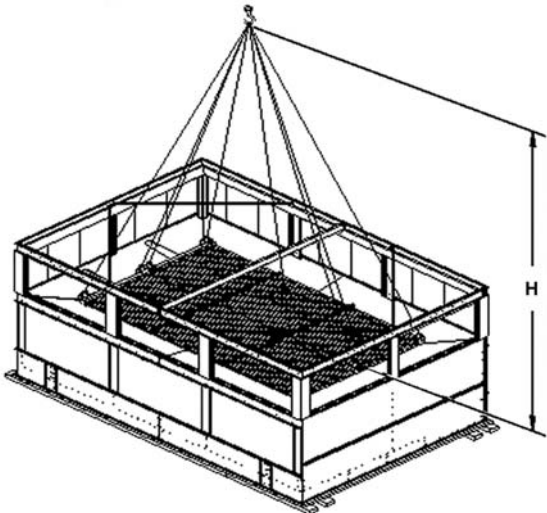


Figure 3 – ESWA Bottom Section (12' x 12' and 12' x 18') 8 point rig

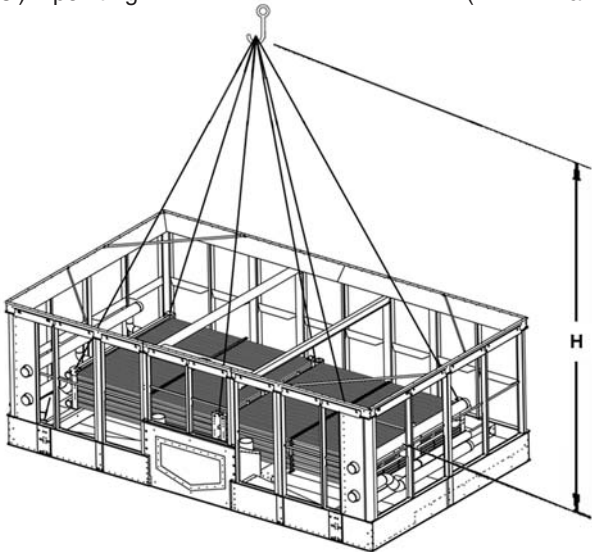


Figure 4 – ESWA Bottom Section (14' x 24' and 14' x 48') 6 point rig

Important: The lifting devices should be used only for lifting where no danger exists and for final positioning of the section. For extended lifts, safety slings should be provided under the section.

Rigging the Bottom Section: Extended Lifts

The preferred method for extended lifts is to use slings under the unit as shown in Figures 5-8. Spreader bars should always be used between the cables at the top of the section to prevent damage to the upper portion of the basin. Safety slings and skids should be removed before final positioning of the unit. See Table 2 for minimum “H” dimensions.

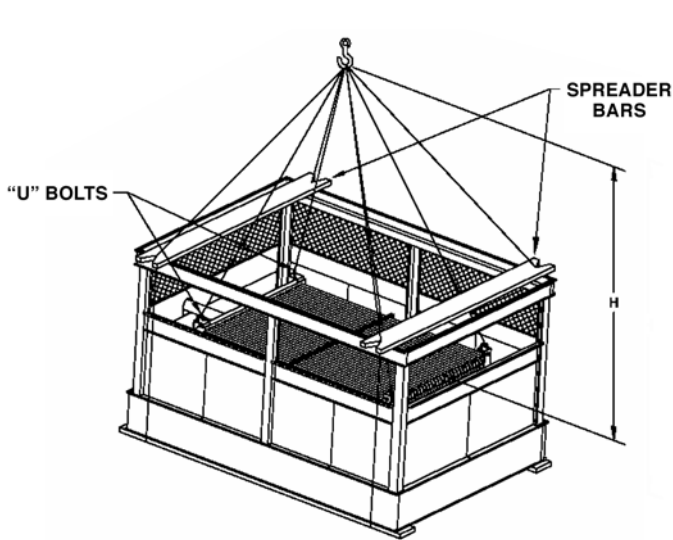


Figure 5 – Proper Rigging Method for Extended Lifts
(8.5' x 9' and 8.5' x 12')

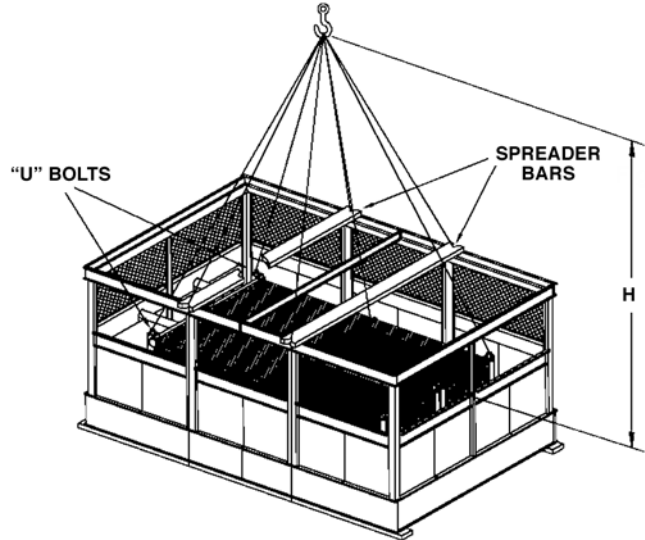


Figure 6 – Proper Rigging Method for Extended Lifts
(8.5' x 18')

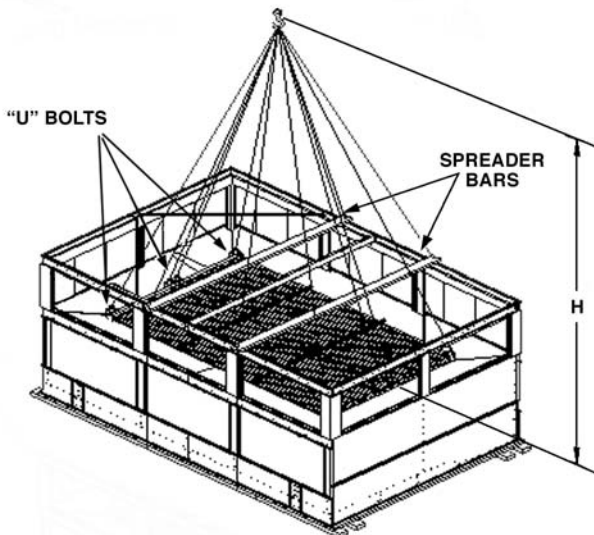


Figure 7 – Proper Rigging Method for Extended Lifts
(12' x 12' and 12' x 18')

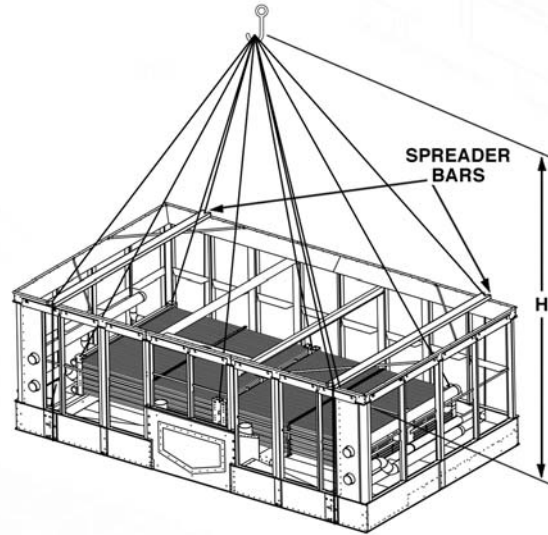


Figure 8 – Proper Rigging Method for Extended Lifts
(14' x 24' and 14' x 48')

Joining Multi-Cell Units Bottom Sections – Models 672

Models 672-23M through 672-46Q have two bottom sections which are shipped separately and furnished with a connecting equalizer flume between cells. In addition to the equalizer flume, these units are provided with drip channels and splash guards to keep water from exiting between the cells. 14' wide units have a two-piece horizontal drip channel assembly and two vertical splash guards (one for each side). The equalizer flume is factory installed on one section for field connection to the other. It is important to connect the equalizer flume to balance the water level in the pans for proper pump suction operation. The following procedures are to be performed in sequence.

1. Install the bottom section with the factory installed flume box as described in the previous section.
2. Clean the flanges on the exposed end of the equalizer flume box. Apply a layer of sealer tape on the flange centered between the hole centers and the outside edge. Remove paper backing strip from the sealer tape (see Figure 9).
3. Clean the mating surface of the equalizer flume opening of any dirt, grease or moisture.
4. Rig the second bottom section adjacent to the equalizer flume box on the steel support as shown in Figure 10.
5. Align the bolt holes in the equalizer flume box and equalizer opening with drift pins (drift pins shall be provided by others) while drawing the second bottom section against the flanged connection.
6. Install 3/8" bolts, nuts and washers in every hole around the equalizer opening and tighten.
7. Bolt the second bottom section to the steel support.
8. Remove the 1/4" bolts which hold the drip channel retaining clips to the end panel. Remove the drip channel sections and fasten them together, end to end, by driving a self-tapping 5/16" screw through the section end with the larger hole into the mating end with the smaller hole. Stainless steel units use 1/4" stainless steel rivnuts and bolts. See Figure 11.
9. Place the drip channel over the adjoining pan section flanges. Turn around the retaining clips and re-install them using the same hardware. (See Figure 12)
10. Place the vertical splash guard in the bend of the vertical supports. On galvanized units, attach the vertical splash guard using 5/16" self-tapping screws. On stainless steel units, attach the vertical splash guard using 5/16" stainless steel nuts and bolts. (See Figure 9)

NOTE: Cut off any extra sealer tape and clean from basin.

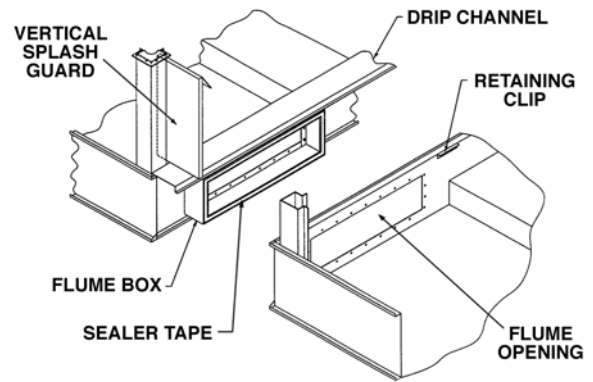


Figure 9 – Equalizer Flume Connection, Models 672-23M through 672- 46Q

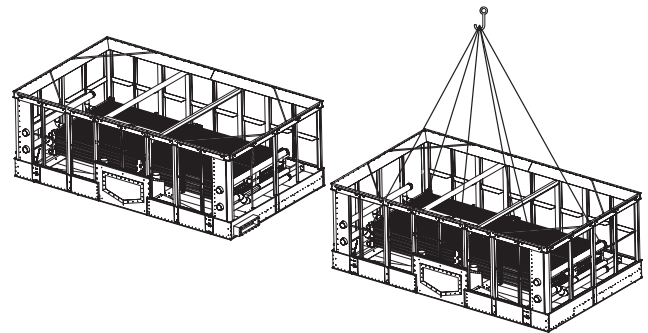


Figure 10 – Equalizer Flume Rigging Detail. Models 672-23M through 272-46Q have two bottom sections and one equalizer flume.

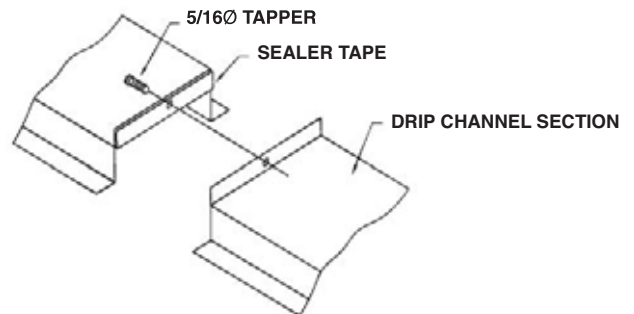


Figure 11 – Drip Channel Assembly

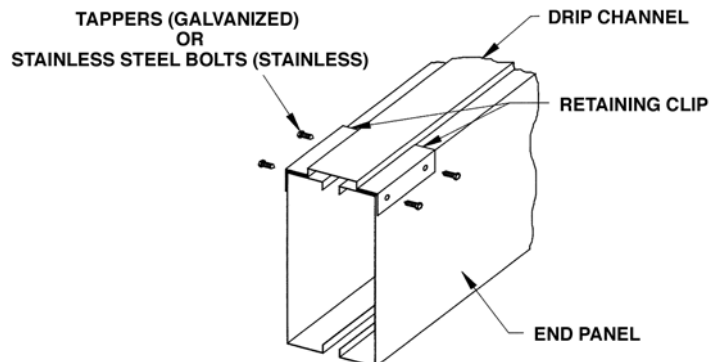


Figure 12 – Drip Channel Installation



Applying Sealer Tape

Once the bottom section has been set on the supporting steel and bolted in place, the top flanges should be wiped down to remove any dirt or moisture. Sealer tape should be placed over the mounting hole centerline on the side flanges. Apply two strips of sealer tape, one partially overlapping the other, on the end flanges.

The sealer tape should overlap on the corners as shown in Figure 13. Never splice the sealer tape along the end flanges and preferably not on the side flanges if it can be avoided. **Always remove the paper backing from the sealer tape. Cut off any extra sealer tape.**

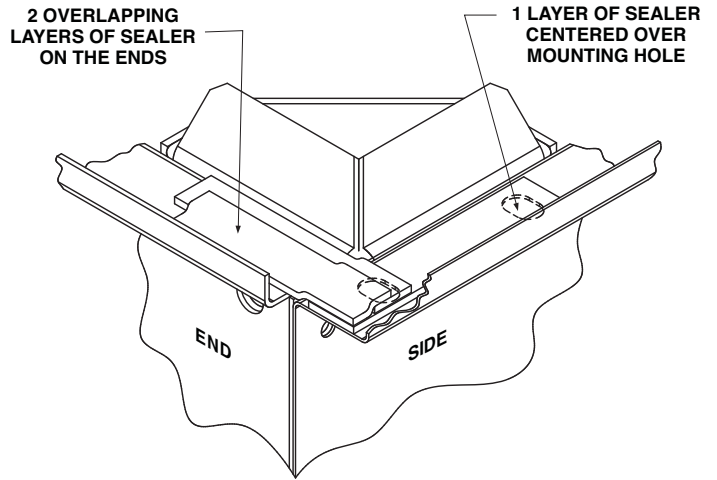


Figure 13 – Proper Sealer Tape Application

Rigging the Top Section: Standard Lift

“U” bolts are provided in the four corners of the top section for lifting and final positioning (See Figure 14). The hook of the crane must be a minimum dimension “H” above the top of the section being lifted to prevent undue strain on the “U” bolts. This dimension varies with the type of fan that is installed in the unit. See Table 3 for the minimum “H” dimension.

Unit No.	Box Size	Minumum “H” Dim. (above fan deck)	
		Standard Fan	Super Low Sound Fan
ESWA 77 models	8.5 x 9 Feet	9 Feet	12 Feet
ESWA 102 models	8.5 x 12 Feet	12 Feet	12 Feet
ESWA 153 models	8.5 x 18 Feet	17 Feet	20 Feet
ESWA 144 models	12 x 12 Feet	12 Feet	15 Feet
ESWA 216 models	12 x 18 Feet	17 Feet	19 Feet
ESWA 366 models	14 x 24 Feet	17 Feet	18 Feet
ESWA 672 models	14 x 48 Feet	17 Feet	18 Feet

Table 3 – Minimum “H” Dimension for Top Sections

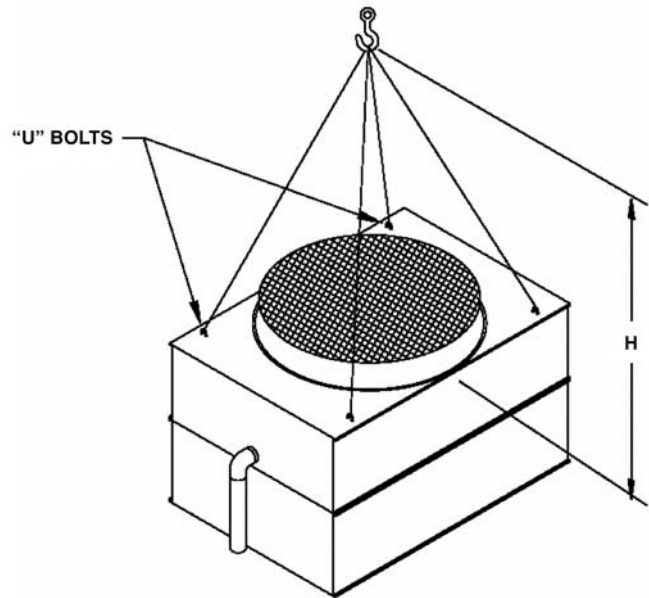


Figure 14 – ESWA Top Section

Important: The “U” Bolts should be used only for lifting where no danger exists and for final positioning of the section. For extended lifts, safety slings should be provided under the section.

Rigging the Top Section: Extended Lifts

The preferred method for extended lifts is to use slings under the unit as shown in Figure 15. Spreader bars should always be used between the cables at the top of the section to prevent damage to the upper flanges or fan cylinder. Safety slings and skids should be removed before final positioning of the unit. See Table 3 for minimum "H" dimensions.

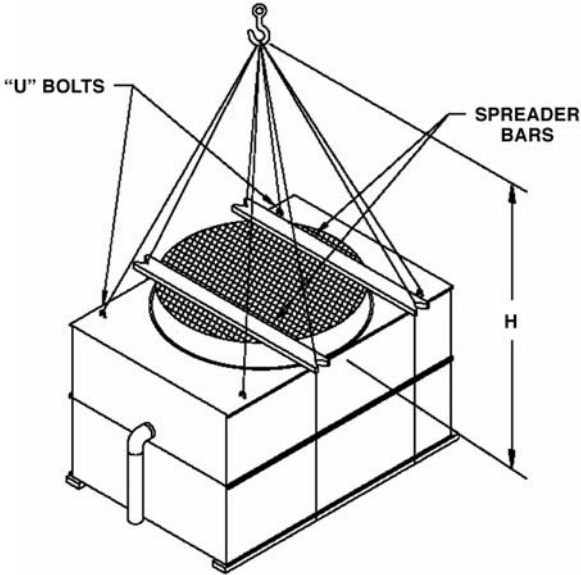


Figure 15 – Proper Rigging Method for Extended Lifts

Assembly of the Top Section to the Bottom Section

Before assembling the top section to the bottom section, remove any loose parts shipped in the pan. Apply sealer tape as shown in Figure 13.

Wipe the flanges on the bottom of the top section. Check to see that the water distribution connection on the top section is in the correction position relative to the bottom section (see certified unit drawing). Units are also provided with match markings on each section (i.e. A1 of bottom section should match up with A1 of top section).

Lower the top section to within several inches of the bottom section making sure the two sections do not touch and the sealer tape is not disturbed. Using suitably sized drift pins to assure proper alignment, lower the top section down onto the bottom section.

Place nuts and bolts in all four corner bolt holes. Then continue to install the rest of the nuts and bolts working from the corners toward the center. Nuts and bolts must be installed in every hole on the side flanges although none are required on the end flanges. Cut off extra sealer tape once the section is bolted into place.

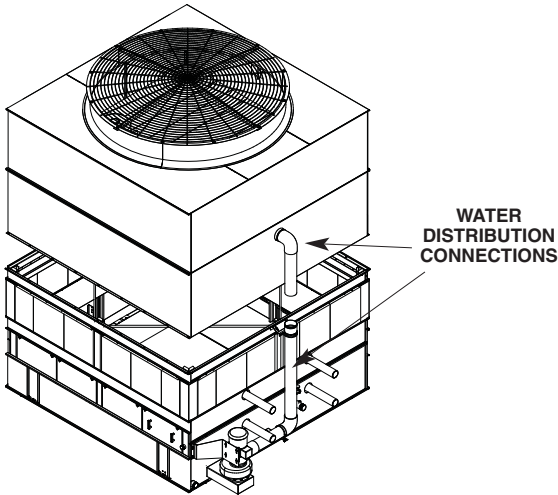


Figure 16 – Mating Upper Section to Bottom Section. (8.5' and 12' Wide Models)

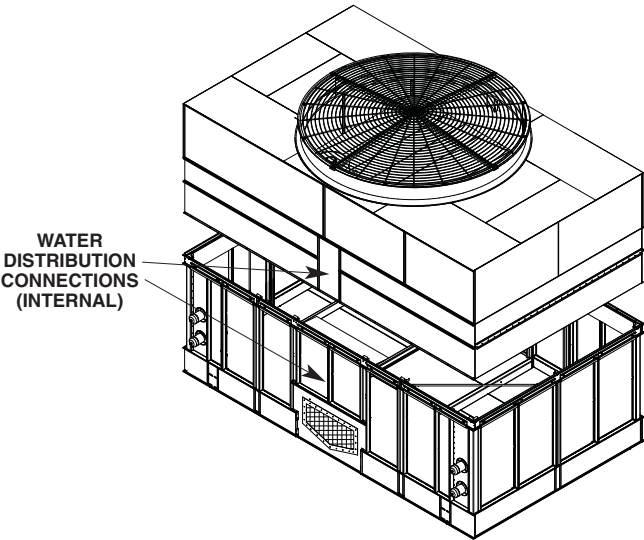


Figure 17 – Mating Upper Section to Bottom Section (14' Wide Models)

Mounting Fan Screens

12' and 14' wide units will be shipped with the fan screens in the basin. Under these circumstances use the following procedures to mount the fan screen on the discharge cylinder.

WARNING: DO NOT WALK ON THE FAN SCREENS AT ANY TIME!

1. Lay both halves of the fan screen on the ground. Join the two screen halves with wire clips (Figure 18). There should be 4 wire clips on each side of the fan screen for 12' wide units and 5 wire clips for 14' wide units. Space the wire clips evenly across the radius of the fan screen as shown in Figure 19.
2. On 12' and 14' wide models, the fan screen is supported from underneath by an "X" shaped support frame. Set the support frame across the top of the discharge cylinder (See Figure 20), and fasten to cylinder with 3/8" bolts.
3. Place the fan screen on top of the support frame and discharge cylinder. Each half will be tagged to match markings on the cylinder. Align the eyelets of the fan screen with the holes on the perimeter of the discharge cylinder.
4. At each hole, attach the fan screen to the discharge cylinder as shown in Figure 21.

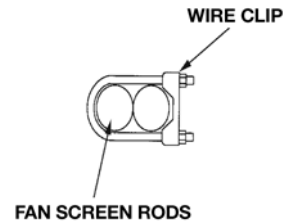


Figure 18 – Wire Clip Arrangement

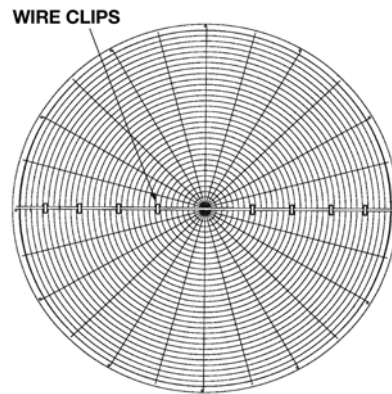


Figure 19 – Wire Clip Spacing (12' Wide Models)

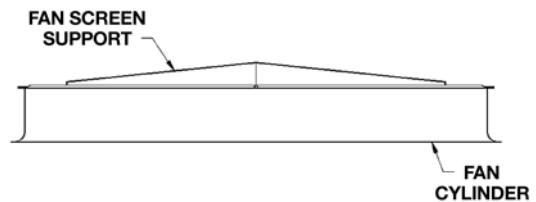


Figure 20 - Support Frame Installation

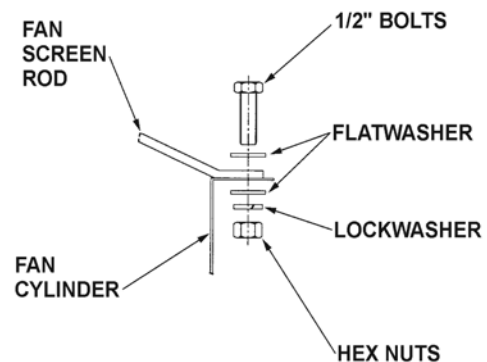


Figure 21 – Attaching Fan Screen to Cylinder

External Motor Installation

8.5' Wide Models

1. Study Figure 22 before installing the motor base on the unit.
2. Insert the lifting device into "U" bolt **A** on motor base **B**.
3. Lift the motor base and insert the pivot pin **C** down into hole **E** and pivot pin **F** into hole **D**.
4. Install washer and nut (do not over tighten) on pivot pins. Install jam nut on pivot pin **C**.
5. Insert "J" bolts **G** into holes **H**. Install flat washers and cotter pins. Place nuts and washers on threaded portion of "J" bolts. These will be behind the motor base installed in the next step.
6. Insert "J" bolts into holes **J** in the motor base. Install flat washers, lock washer and nuts. Remove lifting device from the "U" bolt on the motor base. Position motor base toward casing of unit for belt installation.
7. Install Powerband belt **K** (Figure 23) around fan sheave and motor sheave. Tighten belt by adjusting nuts on "J" bolts. Do not over tighten the belts. The center of the belt should deflect approximately 3/4" with moderate hand pressure.
8. Measure to see that the top and bottom of the motor base are the same distance out from the casing of the unit. This should ensure that the sheaves are properly aligned as they have been pre-set at the factory.
9. As a final check, lay a straight edge from sheave to sheave. There should be four point contact. (See Figure 24.) Adjust the position of the motor sheave as necessary.
10. To install Motor Guard **L**, match up hinges and install hinge pins **M**. (See Figure 23.)
11. Close Motor Guard and install (2) wing bolts **N**.

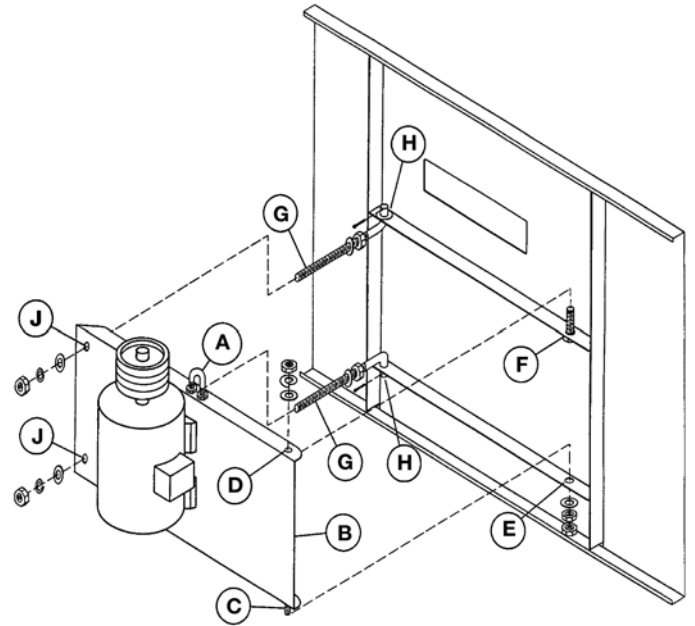


Figure 22 – External Motor Installation

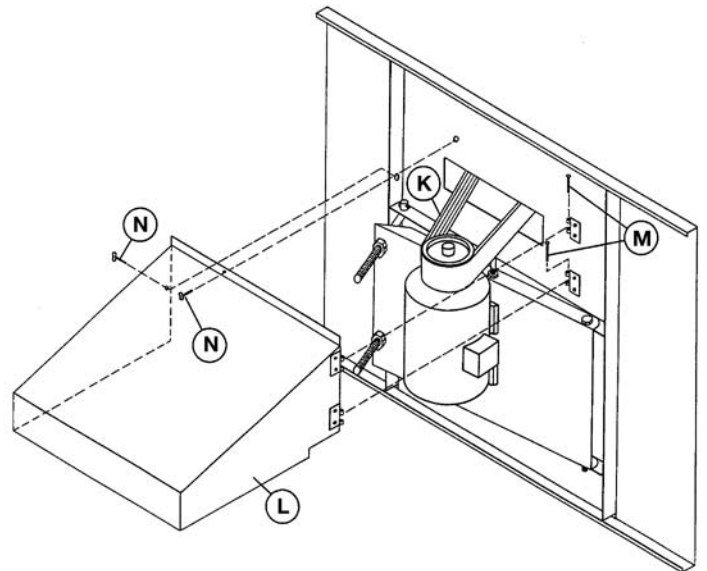


Figure 23 – Motor Guard and Powerband Belt Installation

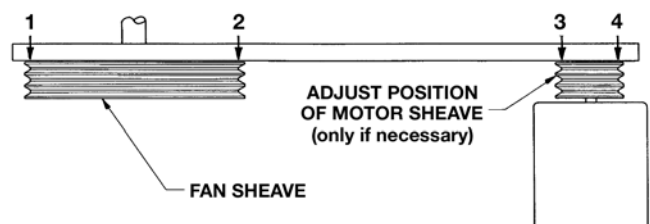


Figure 24 – Sheave Alignment Check

Optional Motor and Gear Box Davit

This accessory is available to aid in the removal of fan motors and gear boxes. The assembly consists of a davit and a mounting base/channel that is attached to the side of the unit next to the access door (Figure 25). Both of these items will ship loose in the unit's basin.

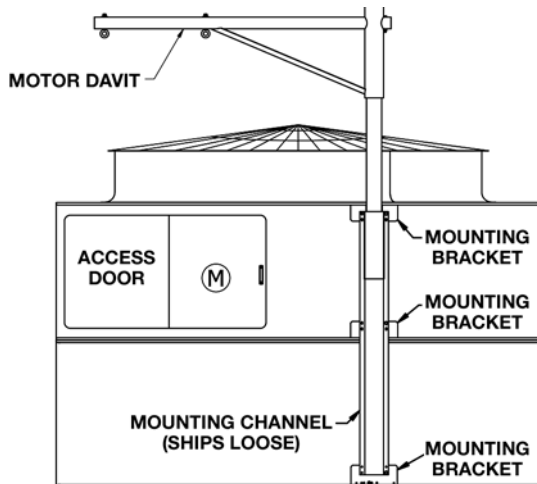


Figure 25 – Motor Davit

Use the following procedure to install the mounting channel:

1. Place the mounting channel on the factory-installed mounting brackets near the access door.
2. At each hole, attach the mounting channel to the bracket using 3/8" hardware as shown in Figure 26.

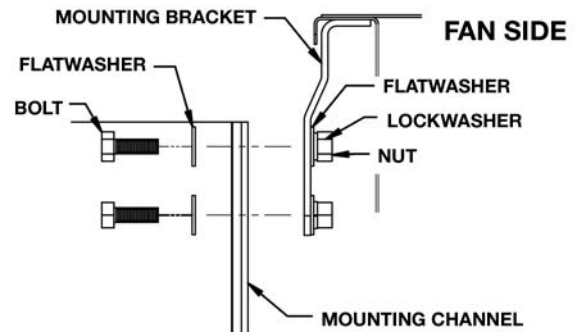


Figure 26 – Attaching Mounting Channel to Mounting Bracket

Optional Heater Package

This accessory is available to prevent the basin water from freezing during winter operation. The heater package consists of a heater, a low water cutout switch and a thermostat. The heater is installed at the factory. The low water cutout switch is shipped loose in the rigging box and will need to be screwed into the screw tight fitting installed in the unit. The thermostat

is attached to the side of the unit at the factory. The bulbwell for the thermostat is shipped loose in the rigging box and will also need to be screwed into the screw tight fitting installed in the unit. See Figures 27 and 28 for heater package location diagrams.

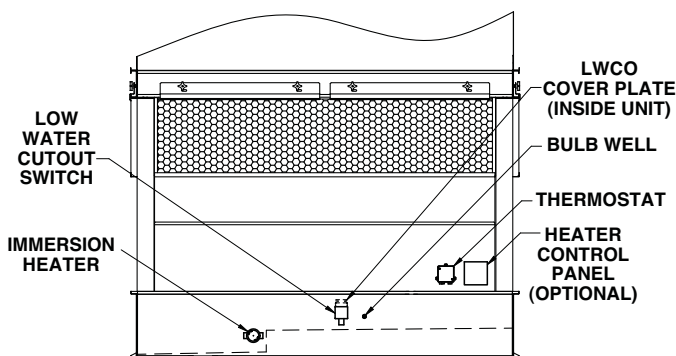


Figure 27 – Heater Component Location, 8.5' and 12' Wide Units

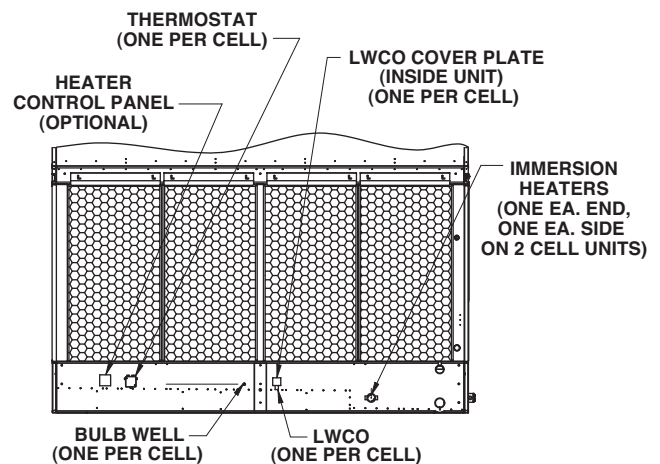


Figure 28 – Heater Component Location, 14' Wide Units

Optional Sloped Ladders

When sloped ladders are supplied with a unit, they are shipped in the basin section, if there is room. One sloped ladder will be provided for each cell. Assembly is identical for each cell.

Sloped ladders are attached at a minimum of three points. Taller units will have four attachment points. At each point of attachment, the ladder will be fitted with a ladder bracket assembly. The ladder bracket assembly looks like a metal box and is shown in detail (component #4) in Figure 29 below. The upper two assembly brackets are factory mounted to the ladder and are not adjustable. These two brackets define the slope of the ladder. The lower brackets are adjustable. See Figures 30 and 31 for drawing of the final ladder assembly.

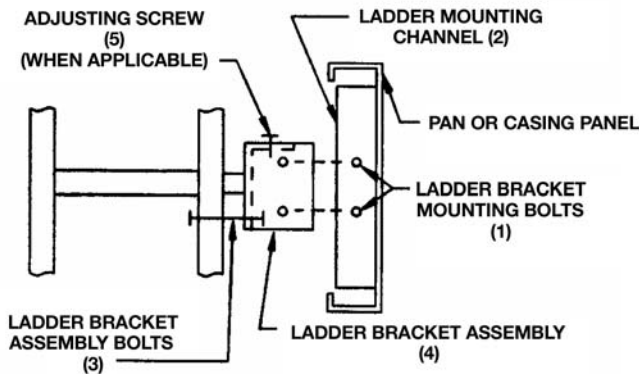


Figure 29 – Detail of Ladder, Ladder Bracket Assembly and Mounting Channel

NOTE: Upper Section of Unit Must Be Properly Oriented with Respect to Lower Section. All Mounting Brackets Must be on Same Side of Unit. Refer to Certified Print For Proper Orientation.

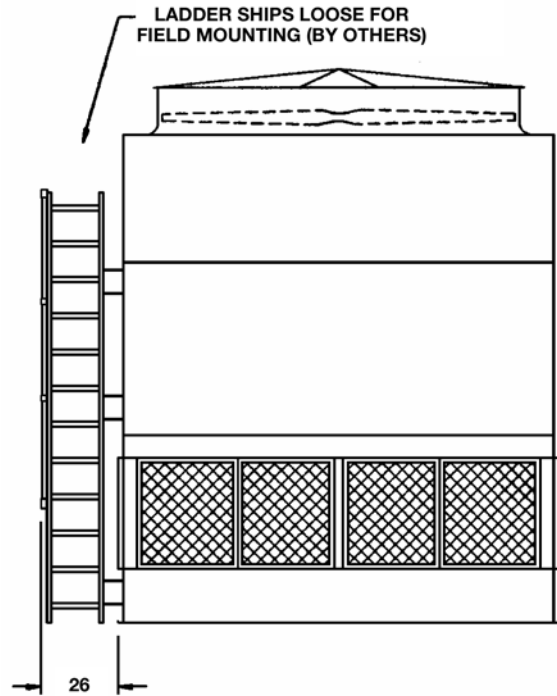


Figure 30 – End View of Ladder Assembly

To install the ladder assembly, follow the steps outlined below which refer to Figure 29:

1. Remove the ladder bracket mounting bolts (1) from the ladder mounting channels (2) on pan and casing sections.
2. Loosen, but do not remove, the ladder bracket and assembly bolts (3).
3. Slide the ladder bracket assembly (4) over the ladder mounting channel (2) located on the unit panels. Do not remove the ladder bracket assembly (4) from the ladder.
4. Align the bolt holes and reinstall the ladder bracket mounting bolts (1) through the ladder bracket assembly and the ladder mounting channels (2).
5. Tighten all bolts.
6. Tighten the adjusting screw (5) in the adjustable mounting bracket where applicable.

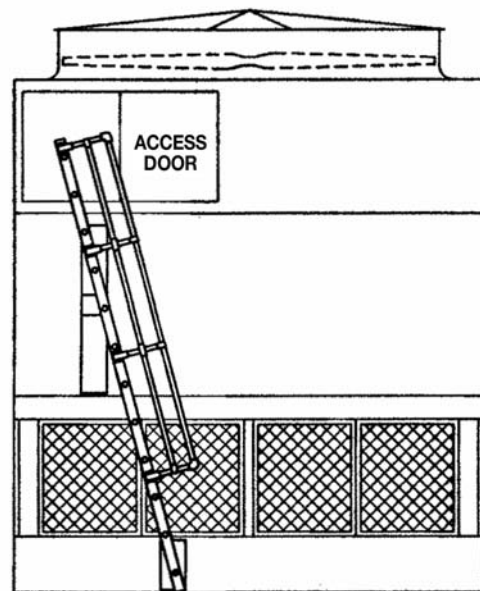


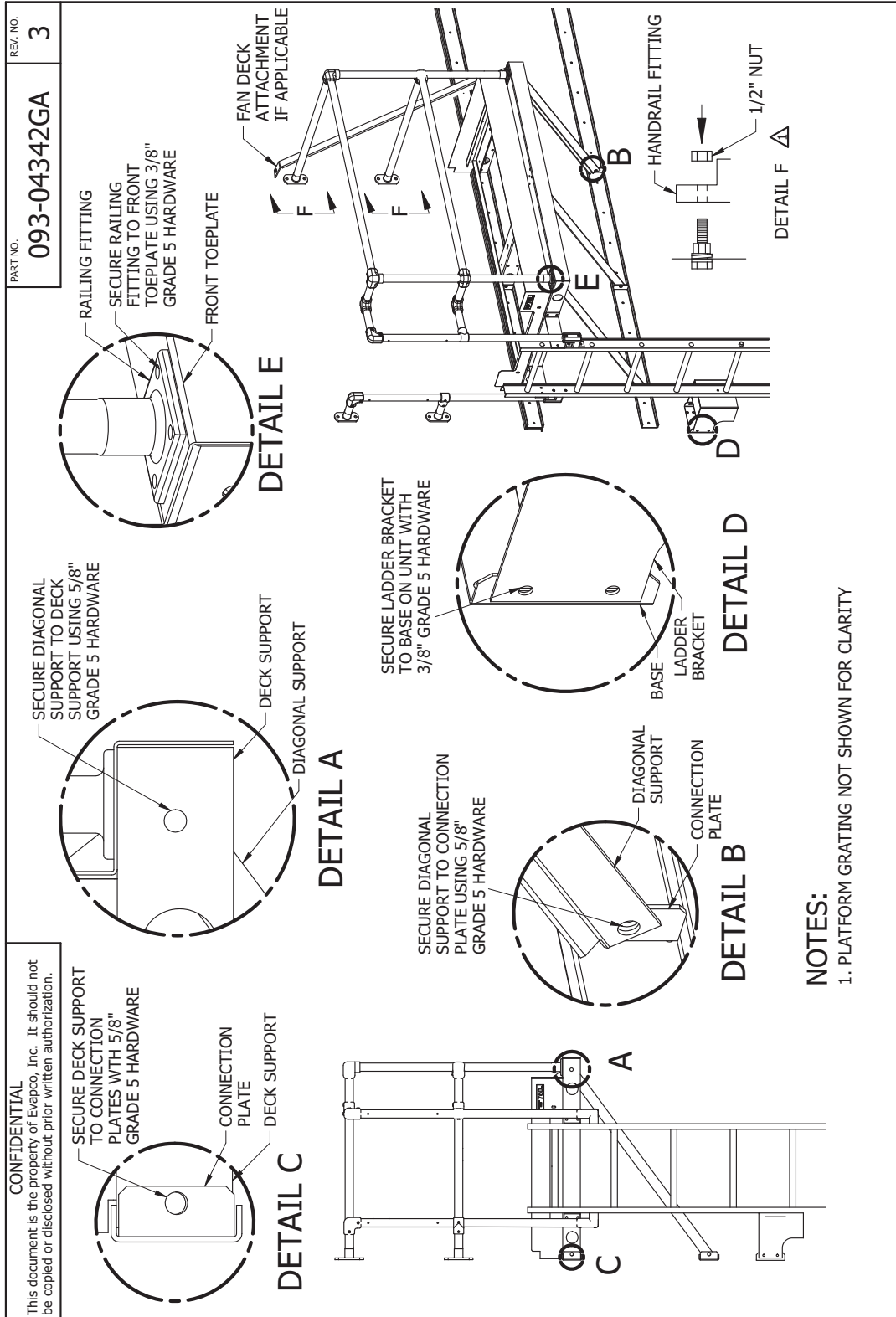
Figure 31 – Side View of Ladder Assembly



Optional Working Platform and Ladder

The working platform and ladder will either be shipped in the basin or shipped separately due to basin accessories that interfere with storage. The platform is partially assembled prior to shipment for minimal field assembly.

The platform and ladder assembly should be attached after the unit is fully rigged. Follow the instructions below.



General Information – Start-up & Maintenance

Start-up Details

Shipping Chocks and Debris

Remove any chocks that have been placed inside the unit for shipping purposes. Be sure to remove the chocks from between the fan and fan guard if applicable. Clean all debris from the basin prior to start-up. Clean and secure all access doors.

Pump Discharge Line

Connect the riser pipe from the pump discharge on the basin section to the riser pipe on the coil/fan section using the flexible connection and hose clamps provided.

Bleed-off Line

A bleed-off line and valve are installed on the unit when shipped with a pump. On units shipped without a pump (remote sump applications) make sure a bleed-off line and valve are properly sized and installed on the discharge side of the pump and connected to a convenient drain. In either case, the bleed-off valve should be fully open.

Strainer

Check the strainers, if applicable, in the basin section to make certain they are in the proper location over the pump suction, along side of the anti-vortex hood. (See Figure 27.)

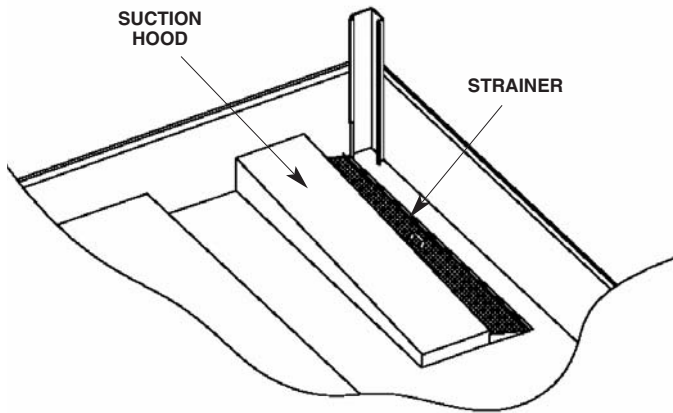


Figure 27 – Strainer Location

Screens

Protective fan screens are provided across the top of the fan cylinders of all models. Check and tighten all bolts.

Float Valve Adjustment

The float valve is pre-set at the factory; however, adjustment should be checked after rigging. The float valve should be adjusted so that the centerline of the float is at the measurement shown in Table 4 from the basin bottom. Raise or lower the float by using the wing nuts on the vertical threaded rod only. Do not adjust the horizontal rod.

Unit Width	Level
8.5'	10"
12'	11"
14'	11"

Table 4 – Recommended Water Level

Starting Sequence

Before starting the unit, check that all access openings, safety screens and covers are in place. Start the unit as outlined below:

1. Fill the pan to the overflow level.
2. Bump start and check the spray water pump(s) for proper rotation. Directional arrows are found on the pump impeller housing.
3. Bump start and check the fan(s) for proper rotation. Directional arrows are placed on the side of the fan cylinder.

Maintenance

Once the installation is complete and the unit is turned on, it is important that it be properly maintained. Maintenance is not difficult or time-consuming but must be done regularly to assure full performance of the unit. Refer to the operation maintenance instructions enclosed with the unit for proper maintenance procedures.

Freeze Protection

Proper freeze protection must be provided if the unit is located in a cold climate. Refer to the operation maintenance instructions as well as product bulletins for further information.



Rigging Hardware Parts List

The following table lists those parts which are shipped together with the unit(s) for field assembly and/or spare parts.

ESWA Model	Box Size	Flume Hardware ¹	Rigging Joint Hardware ²	Sealer Tape	Nozzles
ESWA 77 Models	8.5x9	N/A	14	4	2
ESWA 102 Models	8.5x12	N/A	18	5	2
ESWA 153 Models	8.5x18	N/A	26	5	2
ESWA 144 Models	12x12	N/A	18	5	2
ESWA 216 Models	12x18	N/A	26	6	3
ESWA 336 Models	14x24	N/A	34	8	2
ESWA 672 Models	14x48	26	68	16	3

NOTES:

- (1) 3/8" x 1-1/2" Long Bolt
(1) 3/8" Hex Nut
(1) 3/8" Lock Washer
(1) 3/8" Flat Washer
- (1) 3/8" x 1" Long Bolt
(2) 3/8" Flat Washer
(1) 3/8" Locknut

Table 5 – Rigging Hardware



Accessories can ship in a variety of locations depending on the type of accessory, the size of the unit and the other accessories purchased with the unit. See Table 6 for a guide to accessory location.

Unit Accessories	Shipping Location
Aluminum Ladder	Shipping Location is Unit and Accessory Dependent - If Space is Available: Strapped Inside Unit Basin - If No Space is Available: Shipped Separately on Truck Bed
Drip Channels for Multi Cell Units	Strapped Inside Unit Basin
Discharge Attenuation	Mounted Loosely Bolted on Basin Section
Electric Basin Heater	Shipping Location is Unit Dependent - End Mounted Heater: Installed in Unit Basin - Side Mounted Heater: Strapped Inside Basin Section
Electric Basin Heater Control Panel	Shipping Location is Dependent on Control Panel Size - If Space is Available: Mounted on Unit Basin - If No Space is Available: Boxed, Wrapped and Wire Tied Inside Basin Section
Electric Basin Heater Low Water Cutout	Shipped in Rigging Box
Electric Basin Heater Thermostat	Shipping Location is Unit Dependent - End Mounted Thermostat: Mounted on Basin Section - Side Mounted Thermostat: Shipped in Rigging Box
Electronic Water Level Control Probes	Mounted in PVC standpipe
Electronic Water Level Control PVC Standpipe	Strapped Inside Unit Basin
External Service Platform with Ladder	Shipping Location is Unit and Accessory Dependent - If Space is Available: Strapped Inside Basin Section - If No Space is Available: Crated and Shipped Separately on Truck Bed
Factory Mounted Crossover Piping	Welded to Coil Connections
Fan Screens (If not mounted)	Shipping Location is Unit and Accessory Dependent - If Space is Available: Strapped Inside Basin Sections - If No Space is Available: Crated and Shipped Separately on Truck Bed
Fan Screen Supports (If not mounted)	Shipping Location is Unit and Accessory Dependent - If Space is Available: Strapped Inside Basin Section - If No Space is Available: Crated and Shipped Separately on Truck Bed
Flume Plate	Mounted to Flume Box
Hot Water or Steam Coil	Installed in Unit Basin
Low Water Cutoff for Pump	Shipped in Rigging Box
Remote Sump Trash Screen	Installed In Unit Basin
Rigging Hardware	Shipped in Rigging Box
Safety Cage	Attached to the Ladder
Sealer Tape	Shipped in Rigging Box
Splash Guards for Multi Cell Units	Strapped Inside Basin Section
Sump Sweeper Piping with and without High Flow Eductors	Installed in Unit Basin
Vibration Switch	Mounted in Fan Section
Motor Davit and Base	Shipping Location is Unit and Accessory Dependent - If Space is Available: Strapped Inside Basin Section - If No Space is Available: Crated and Shipped Separately on Truck Bed
Water Level Indicator	Strapped Inside Unit Basin
Fan Motor	Shipped Loose on 8.5' Wide Units

Table 6 – Unit Accessory Shipping Location



EVAPCO, Inc. • P.O. Box 1300 • Westminster, MD 21158 USA
PHONE: 410-756-2600 • FAX: 410-756-6450 • E-MAIL: marketing@evapco.com

©2009 EVAPCO, Inc.